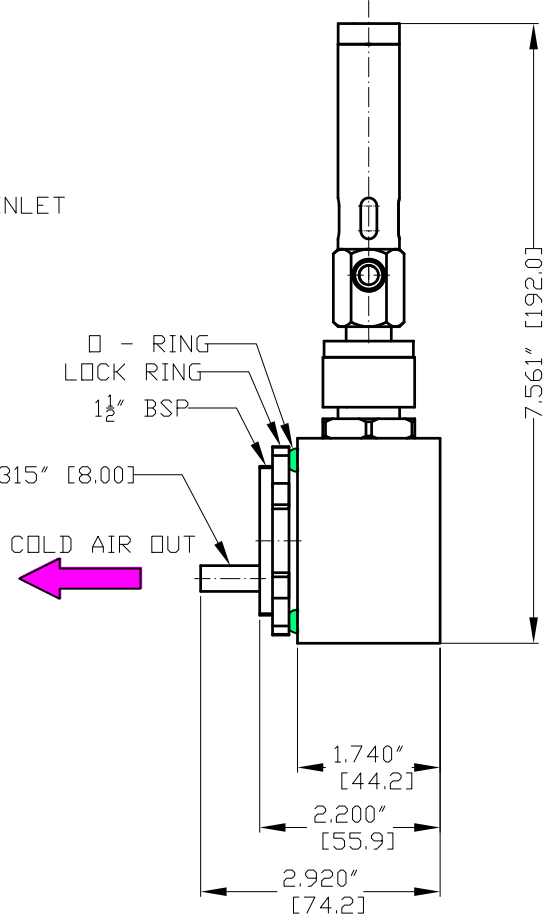
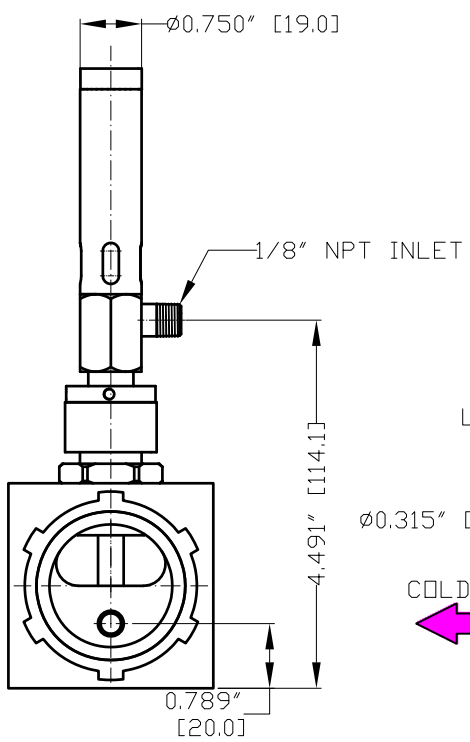
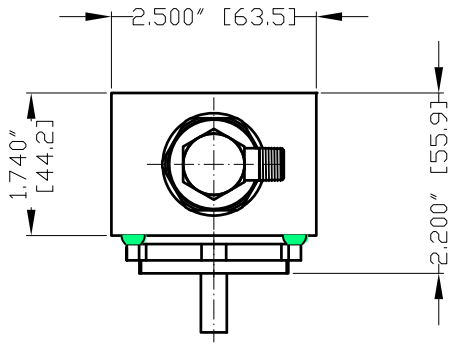
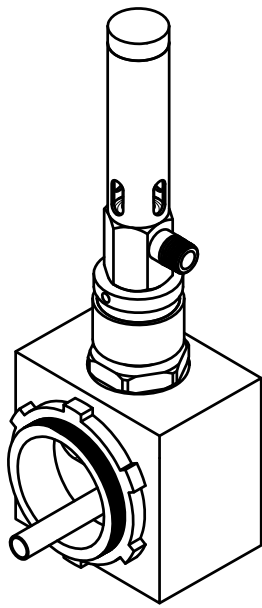


REVISIONS			
REV	DESCRIPTION	DATE	APPROVED
1			
2			



THIRD ANGLE PROJECTION	
MATERIAL	
FINISH	

REQUIREMENTS—UNLESS OTHERWISE SPECIFIED
GENERAL
1. DIMS ARE IN INCHES (MM)
2. INTERNAL RADII .015
3. BREAK SHARP CORNERS
LIMITS
1. LINEAR DIMS.
.XXX = .005
.XX = .010
.X = .100
2. ANGLES = ± 1/2°

CONTRACT NUMBER	—
CLIENT	—
CONTRACTOR	—
DRAWN	CHIRAG
DATE	13/10/2014
DESIGN	LES
CHECKED	ASHISH
PROJECT	—
Q.A.	—
STRESS	—
MANUFACTURING	—
THERMAL	—
MATERIALS	—
MECHANISM	—
ELECTRICAL	—

NEX FLOW AIR PRODUCTS CORP. 10520 YONGE STREET, UNIT 35B-220, RICHMOND HILL, ON L4C 3C7 TEL.: (416) 410-1313 & FAX: (416) 410-1806 www.nex-flow.com					
TITLE: OUTLINE DRAWING OF SMALL PANEL COOLER WITH SIDE MOUNT					
SIZE	CAGE CODE	PART NAME:	RELEASE	REV	
C	—	6000XA+69100	P	0	
SCALE	1:1	PART NO	PCSM-S	SHEET	1 OF 1