

4

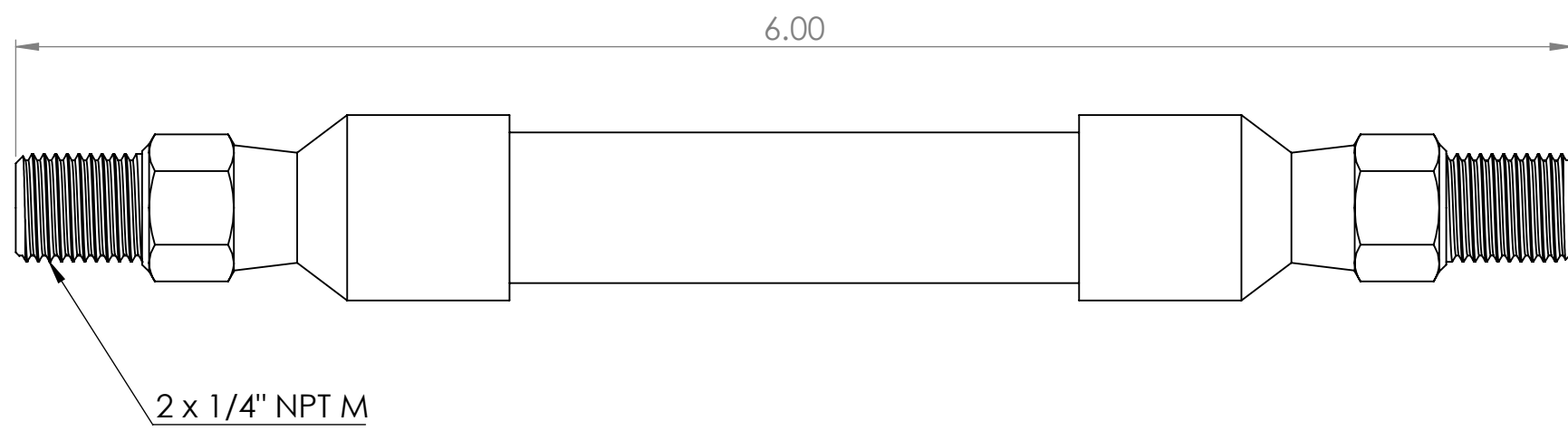
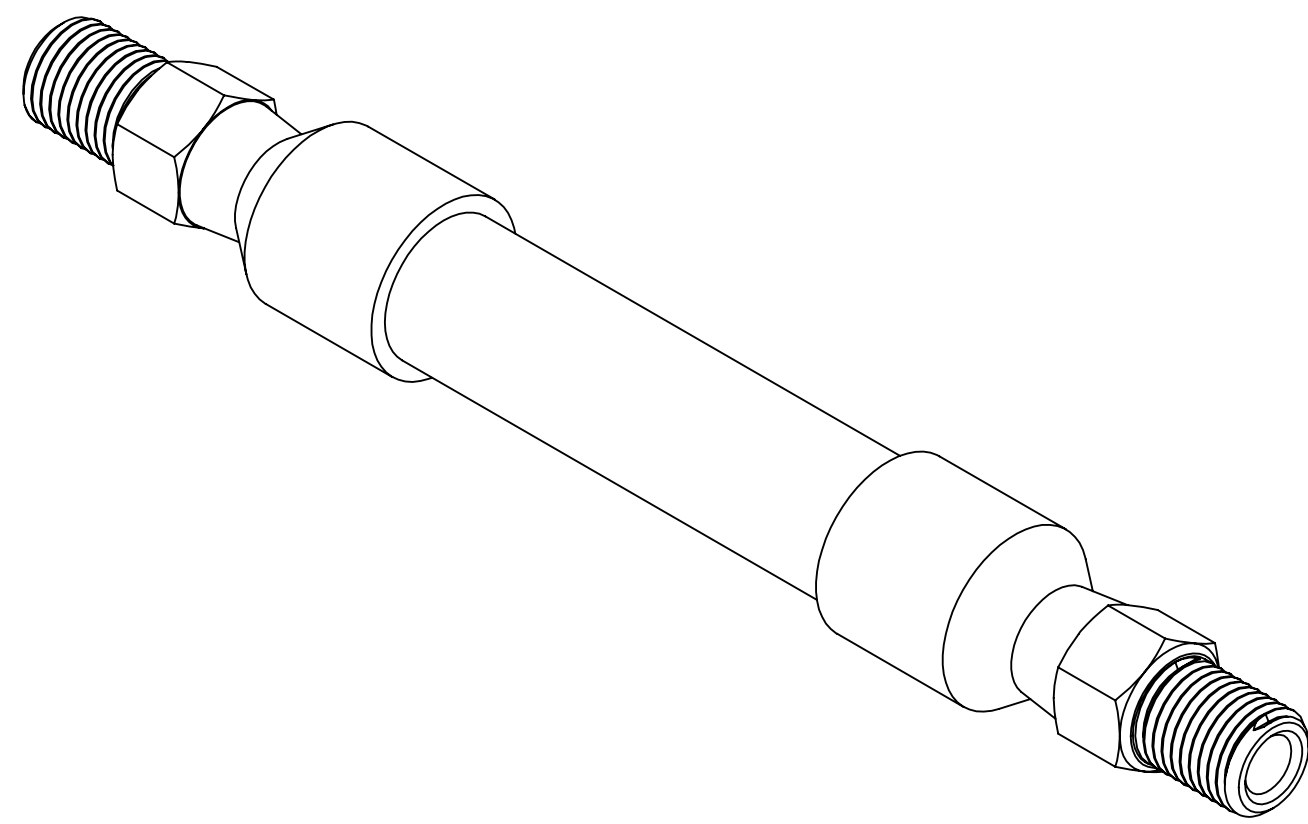
3

2

1

B

B



A

A

PROPRIETARY AND CONFIDENTIAL
 THE INFORMATION CONTAINED IN THIS DRAWING IS THE SOLE PROPERTY OF NEXFLOW. ANY REPRODUCTION IN PART OR AS A WHOLE WITHOUT THE WRITTEN PERMISSION OF NEXFLOW IS PROHIBITED.

		UNLESS OTHERWISE SPECIFIED:		NAME	DATE	NEX FLOW™ AIR PRODUCTS CORP. 10520 YOUNG STREET, UNIT 35B220, RICHMOND HILL, ON, L4C 3C7 TEL: (416) 410-1313 & FAX: (416) 410-1806 www.nexflow.com		
		DIMENSIONS ARE IN INCHES		DRAWN	AMMAD		OCT/28/21	
		TOLERANCES:		CHECKED				
		FRACTIONAL ±		ENG APPR.				
		ANGULAR: MACH ± BEND ±		MFG APPR.				
		TWO PLACE DECIMAL ±		Q.A.				
		THREE PLACE DECIMAL ±						
		INTERPRET GEOMETRIC TOLERANCING PER:				TITLE:		
		MATERIAL				6" RIGID FLEX HOSE		
		FINISH				SIZE	MODEL #:	REV
NEXT ASSY	USED ON	APPLICATION		DO NOT SCALE DRAWING		B	6RF	1
						SCALE: 2:1.5	WEIGHT:	SHEET 1 OF 1

4

3

2

1