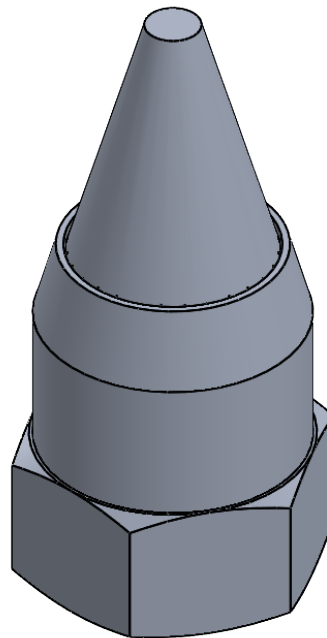
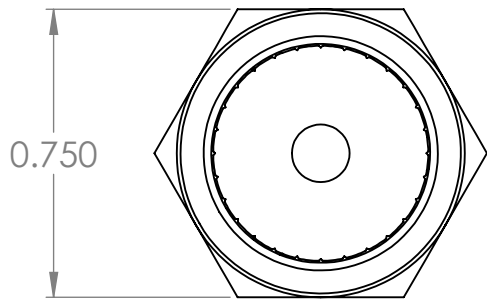


2

1

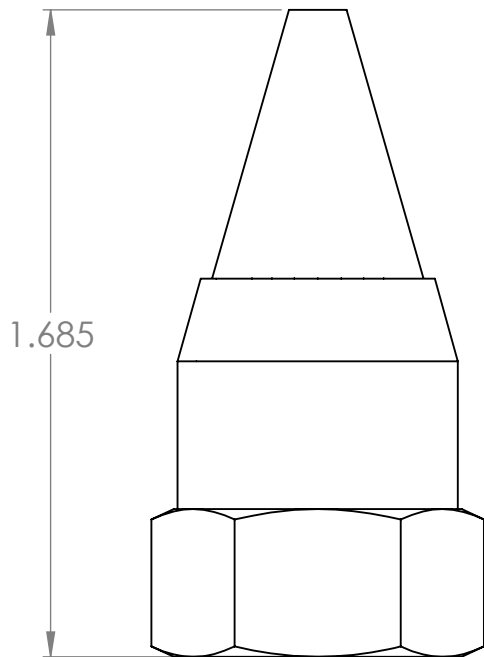
B

B



A

A



1/4" NPT F

**PROPRIETARY AND CONFIDENTIAL**

THE INFORMATION CONTAINED IN THIS DRAWING IS THE SOLE PROPERTY OF NEXFLOW. ANY REPRODUCTION IN PART OR AS A WHOLE WITHOUT THE WRITTEN PERMISSION OF NEXFLOW IS PROHIBITED.

		DIMENSIONS ARE IN INCHES		NAME	DATE	<b>NEX FLOW™ AIR PRODUCTS CORP.</b> 10520 YOUNG STREET, UNIT 35B220, RICHMOND HILL, ON, L4C 3C7 TEL: (416) 410-1313 & FAX: (416) 410-1806 <a href="http://www.nexflow.com">www.nexflow.com</a>	
		TOLERANCES:		DRAWN	AMMAD		AUG/27/21
		FRACTIONAL ±		CHECKED			
		ANGULAR: MACH ± BEND ±		ENG APPR.			
		TWO PLACE DECIMAL ±		MFG APPR.			
		THREE PLACE DECIMAL ±		Q.A.			
		MATERIAL		TITLE:			
		ALUMINUM		<h1>1/4" FEMALE NPT NOZZLE</h1>			
NEXT ASSY	USED ON	FINISH		SIZE	MODEL #:	REV.	
				<b>A</b>	47004F	1	
APPLICATION		DO NOT SCALE DRAWING		SCALE:2:1	WEIGHT:	SHEET 1 OF 1	



2

1