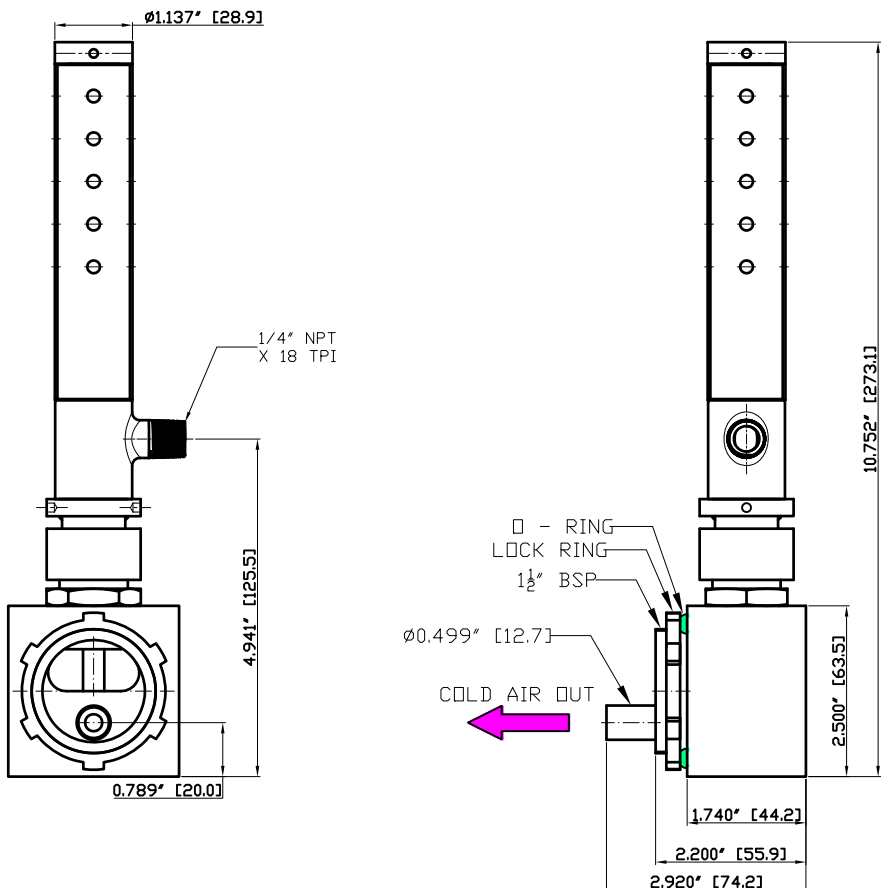
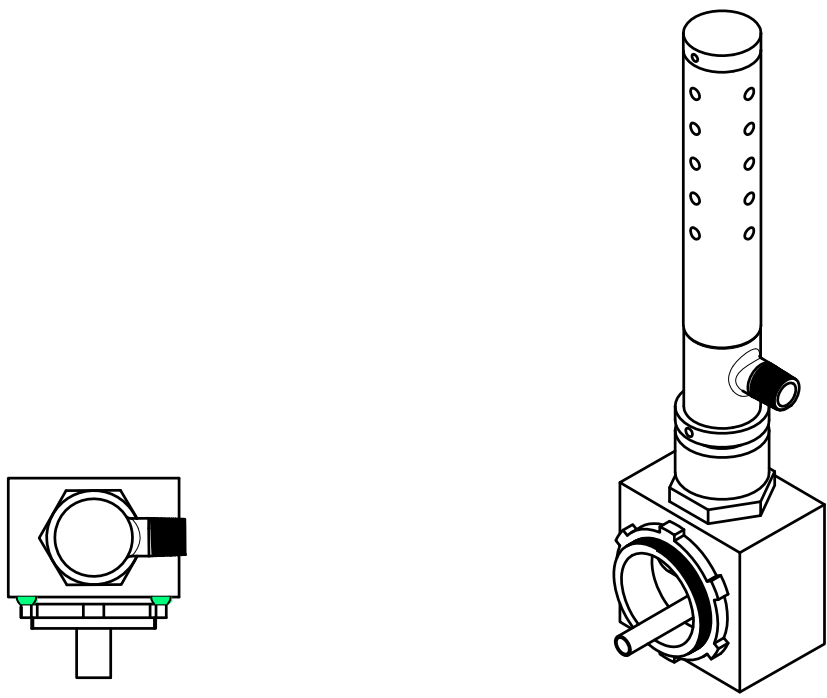


REVISIONS			
REV	DESCRIPTION	DATE	APPROVED
1			
2			



□ - RING
 LOCK RING
 1 1/2" BSP
 COLD AIR OUT

THIRD ANGLE PROJECTION		REQUIREMENTS—UNLESS OTHERWISE SPECIFIED	CONTRACT NUMBER —	NEX FLOW AIR PRODUCTS CORP.					
		GENERAL	CLIENT —	10520 YONGE STREET, UNIT 35B-220, RICHMOND HILL, ON L4C 3C7					
MATERIAL	S.S. 304	1. DIMS ARE IN INCHES (MM)	CONTRACTOR —	TEL.: (416) 410-1313 & FAX: (416) 410-1806 www.nex-flow.com					
		2. INTERNAL RADII .015	DRAWN CHIRAG	DATE 18/03/2015	TITLE: OUTLINE DRAWING OF NEMA TYPE-12 PANEL COOLER WITH SIDE MOUNT				
FINISH		3. BREAK SHARP CORNERS	DESIGN —	CHECKED ASHISH	SIZE C	CAGE CODE —	DWG. NO. 6000XA+69100	RELEASE P	REV 0
		LIMITS	PROJECT —	Q.A. —	MECHANISM —	SCALE 1:1	CAD NO PCSM-12	SHEET 1 OF 1	
		1. LINEAR DIMS.	STRESS —	MANUFACTURING —					
		.XXX = .005	THERMAL —	MATERIALS —					
		.XX = .010	MECHANISM —	ELECTRICAL —					
		.X = .100							
		2. ANGLES = ± 1/2°							