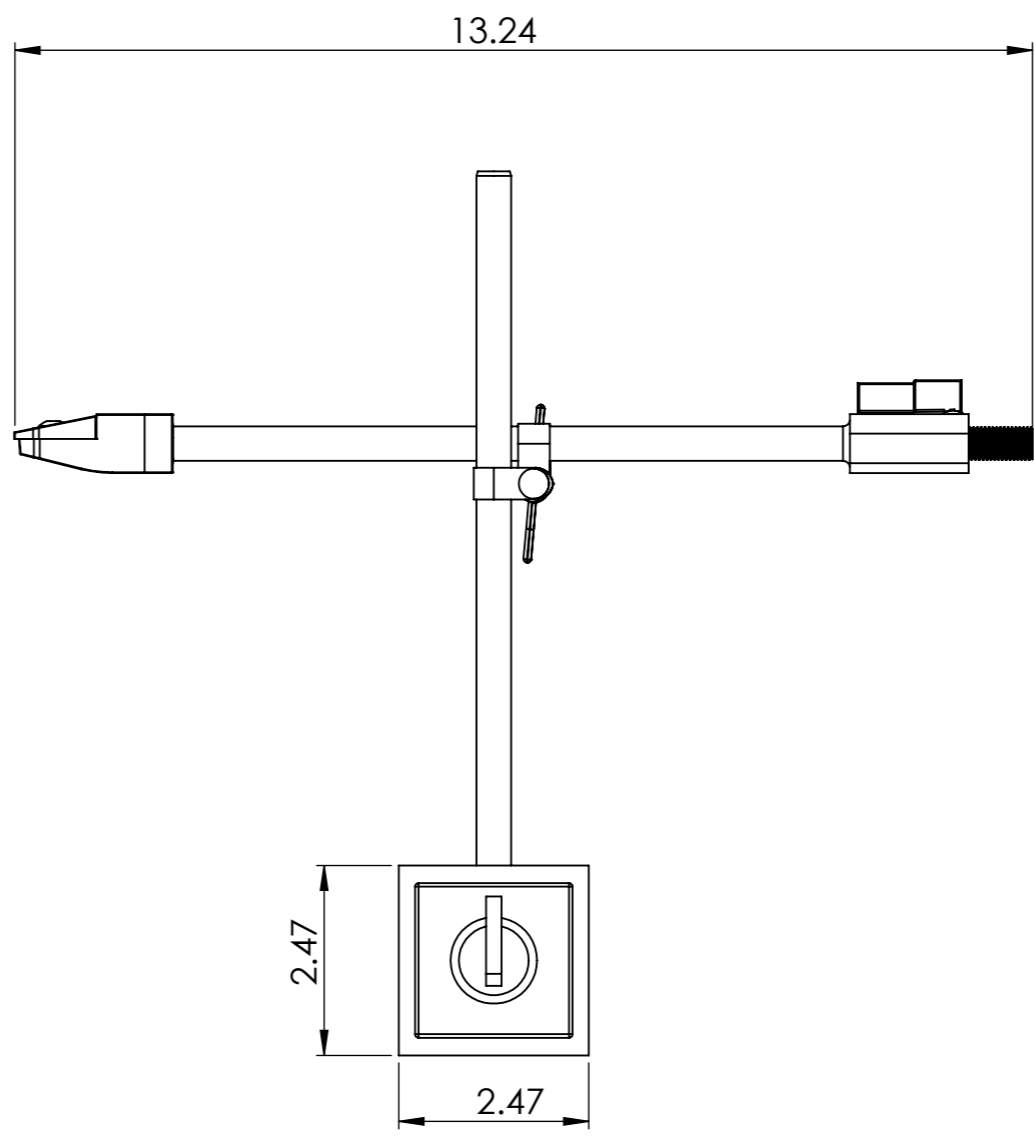
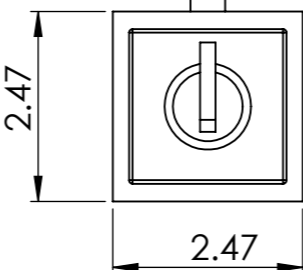


11.51

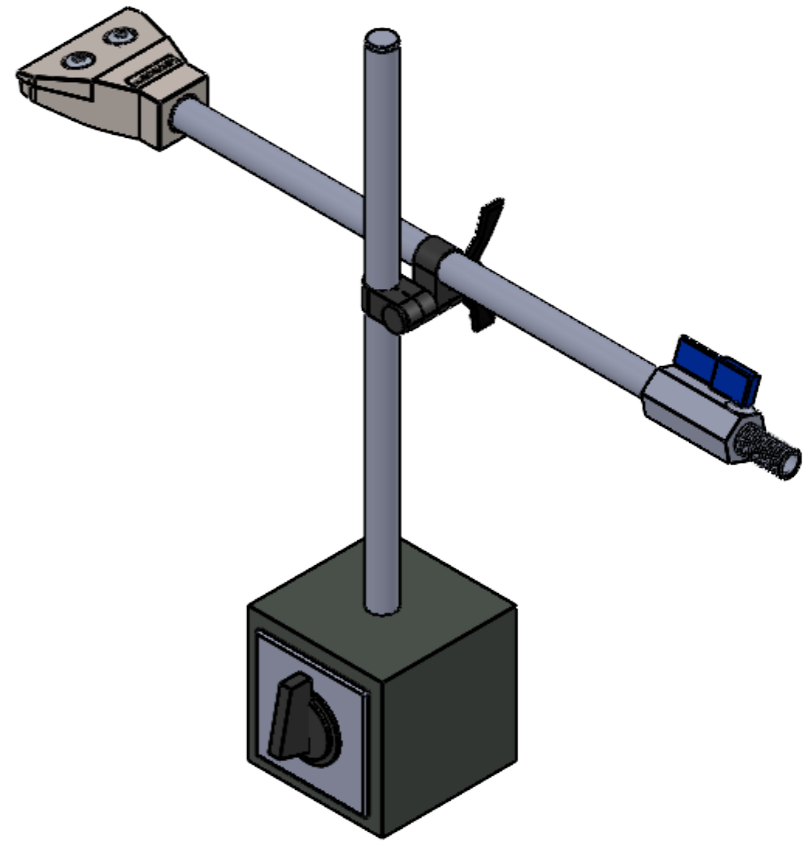


13.24



2.47

2.47



UNLESS OTHERWISE SPECIFIED: DIMENSIONS ARE IN INCHES SURFACE FINISH: TOLERANCES: LINEAR: ANGULAR:			DEBURR AND BREAK SHARP EDGES		NEX FLOW™ AIR PRODUCT CORP. 10520 YOUNG STREET, UNIT 35B220, RICHMOND HILL, ON, L4C 3C7 TEL: (416) 410-1806 & FAX:(416) 410-1806 www.nexflow.com	
	NAME	DATE	TITLE:			
DRAWN	AFAN	FEB/14/23	FLEXMOUNT+AIR EDGER + MAGNETIC BASE			
CHK'D			DWG NO.			
APPV'D			19004A-47011-4-M			
MFG			A3			
Q.A			SCALE:1:2.5			
MATERIAL:			SHEET 1 OF 1			
WEIGHT:						