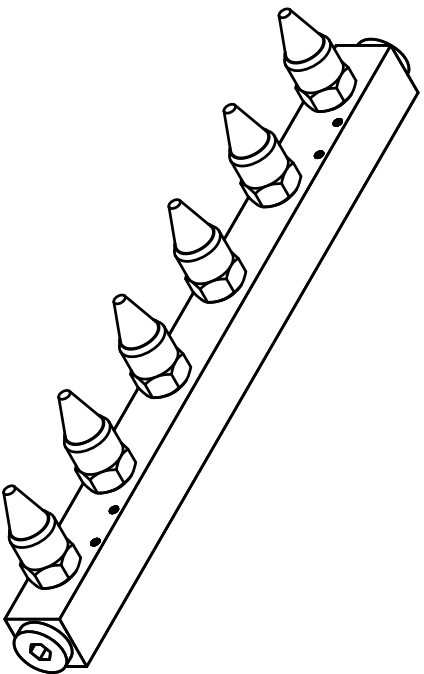
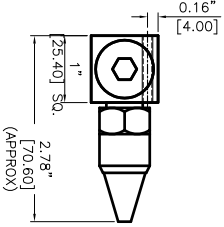
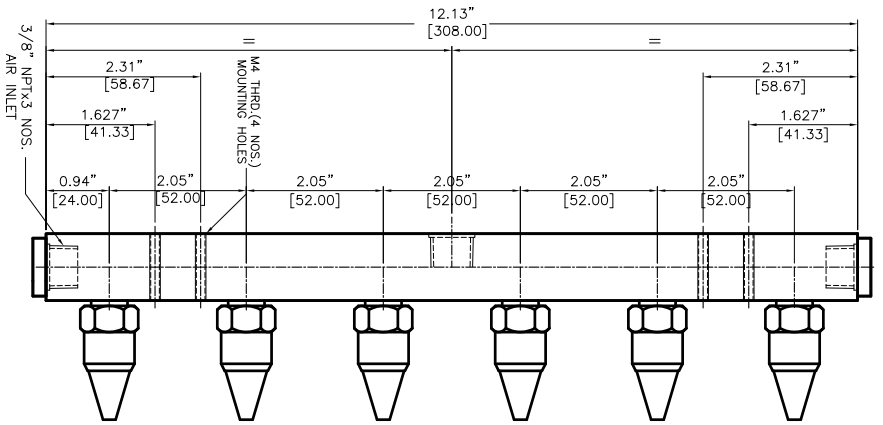


REVISIONS		DATE	APPROVED
REV	DESCRIPTION		
1		-	-



TYPICAL PROJECTION		MATERIAL		FINISH	
AL/SS304/SS316L		-		-	

REQUIREMENTS - FINISHES	OTHER FINISHES SPECIFIED	CONTRACT NUMBER	CLIENT
1. LONG LIFE AT MAXIMUM PRESSURE			
2. DIMENSIONS AND TOLERANCES IN ACCORDANCE WITH ASME Y14.5 (1982)			
3. MACHINE FINISH 125 MICRO INCH RMS			
4. BREAK SHARP CORNERS .005 TO .015			

LIMITS	STRESS	MANUFACTURING	SIZE	DATE CODE	DWG NO	REV
1. LINEAR DIMS: .0005	TENSILE	MATERIALS	-	-	46006+47004	-
2. ANGLES = ± 1/2°	MATERIAL	FINISH	-	-	46006+47004	-
3. ROUNDOFF .010 MIN	ELECTRICAL	PROCESS	-	-	46006+47004	-
4. HOLES IN ACCORDANCE WITH ANSI 10.987			-	-	46006+47004	-

REVISIONS	DATE	APPROVED
1	-	-

NEX FLOW AIR PRODUCTS CORP.
 10520 YONCE STREET, UNIT 259-220 RICHMOND HILL, ON L4G 3C7
 TEL: (416) 410-1313 & FAX: (416) 410-1806 www.nex-flow.com

6 PORT STANDARD FLOW MANIFOLD WITH 47004 NOZZLE

DATE CODE: 46006+47004
 DWG NO: 46006+47004
 SCALE: 1:1
 SHEET 1 OF 1