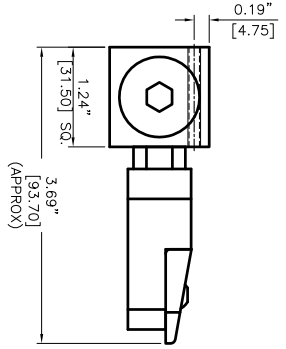
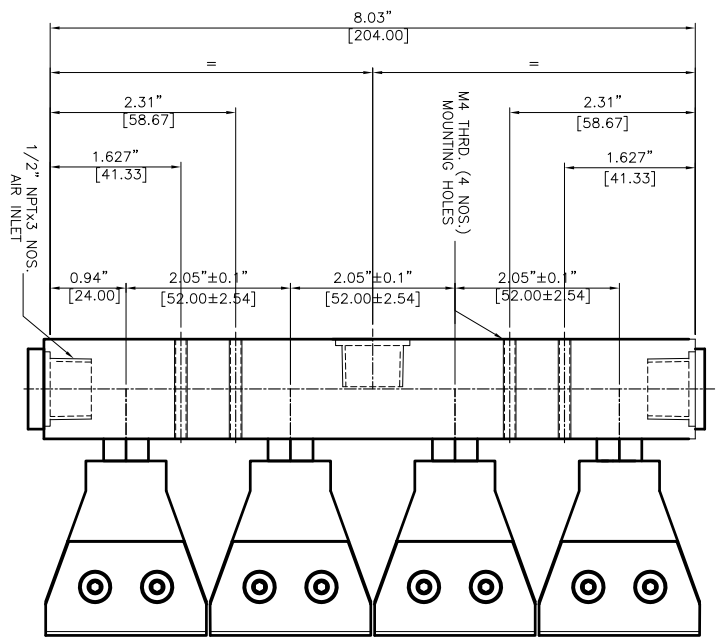
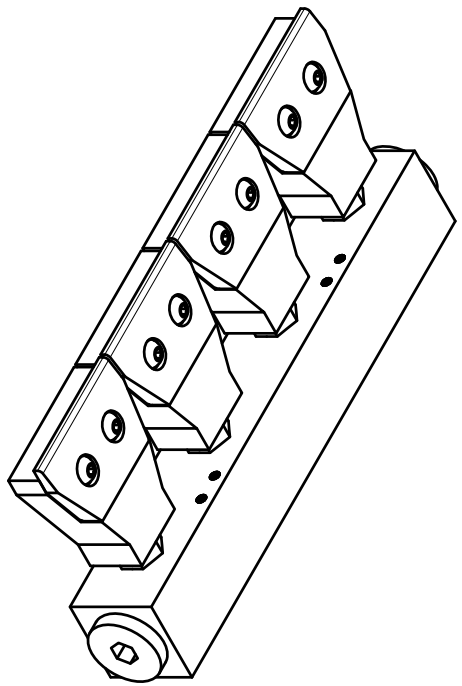


REV	DESCRIPTION	DATE	APPROVED
1	-	-	-



REVISIONS	REQUIREMENTS - FINISHES OTHER THAN SPECIFIED	CONTRACT NUMBER	DATE	BY	CHKD	APP'D
1	1. LINEAR DIMS. ± .005 ± .010 ± .015 2. ANGLES = ± 1/2° 3. ROUNDOFF .010 R/R 4. HOLES IN ACCORDANCE WITH AND 10397	10620 YONCE STREET, UNIT 259-220 RICHMOND HILL, ON L4C 3C7 TEL: (416) 410-1313 & FAX: (416) 410-1806 WWW.AIR-FLOW.COM	28/09/2014	AS/MSH	AS/MSH	AS/MSH