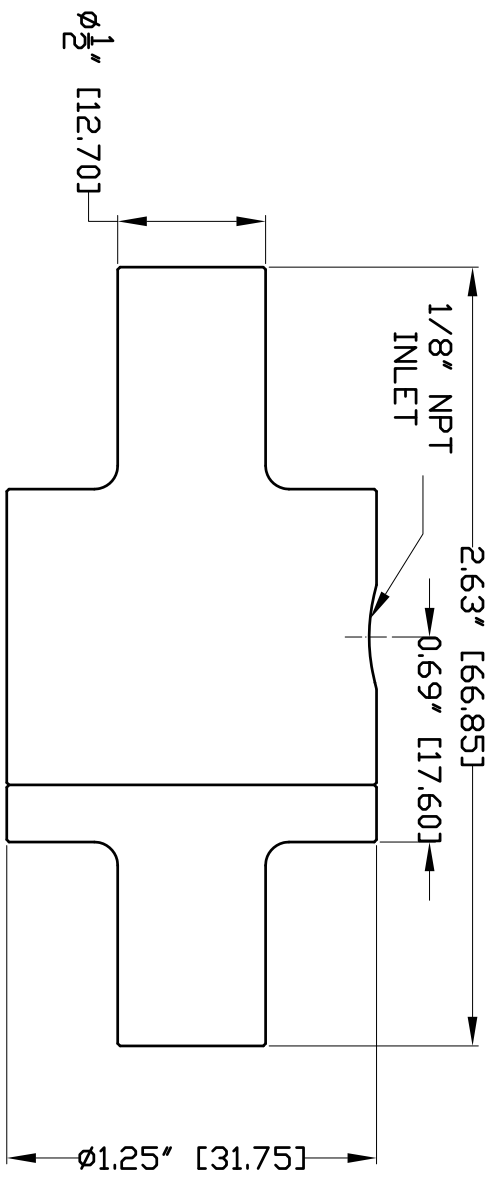
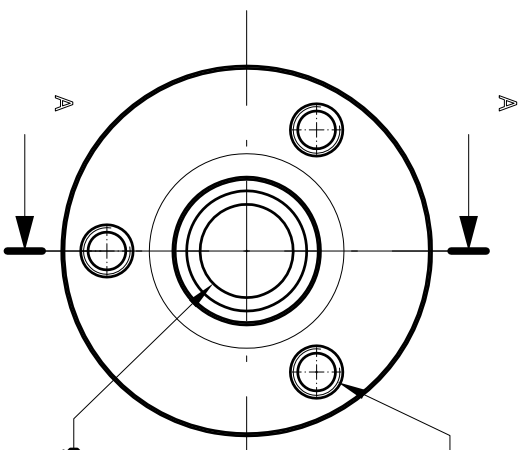


9 8 7 6 5 4 3 2 1

- NOTES:
1. ALL DIMENSIONS SHOWN ARE IN inches (mm)
 2. ALL DIMENSIONS SHOWN ARE FINISH OPERATIONAL DIMENSIONS WHICH INCLUDE RESIDUAL COATINGS UNLESS OTHERWISE SPECIFIED.
 3. PART TO BE FLAT PACKED PROPERLY TO AVOID ANY DAMAGE WHILE SHIPPING & HANDLING.
 4. ALL HORIZONTAL DIMENSIONS ARE SYMMETRICAL ABOUT VERTICAL CENTER LINE UNLESS OTHERWISE SPECIFIED.



Section view A-A



Front view

REVISIONS			
REV	DESCRIPTION	DATE	APPROVED
-	-	-	-

M4 X 3 HOLES,
120° APART
DN 0.95"[24] PCD

Ø0.31" [Ø8.00]

<p>REVISIONS</p> <p>1. LINE/DATE: 30/04/2016</p> <p>2. APPROVED: [Signature]</p> <p>3. AMOUNT: 2 1/2"</p> <p>4. HOLE IN ACCORDANCE WITH AND VOLT</p>		<p>CONTRACT NUMBER</p> <p>30/04/2016</p>	
<p>GENERAL</p> <p>1. DIMS ARE IN INCHES (MM)</p> <p>2. APPROVED WITH AND TALS (MM)</p> <p>3. MACHINE FINISH 125 LEMBO WITH FIN</p> <p>4. INTERNAL FLAT 2016</p> <p>5. BRIDGE SHAW COMPANY 2016 TO 2015</p>		<p>CLIENT</p> <p>NEX FLOW AIR PRODUCTS CORP.</p> <p>10520 YONCE STREET, UNIT 359-220, RICHMOND HILL, ON L4C 3C7</p> <p>TEL: (416) 410-1313 & FAX: (416) 410-1806 WWW.NEX-FLOW.COM</p>	
<p>REVISIONS</p> <p>1. LINE/DATE: 30/04/2016</p> <p>2. APPROVED: [Signature]</p> <p>3. AMOUNT: 2 1/2"</p> <p>4. HOLE IN ACCORDANCE WITH AND VOLT</p>		<p>CONTRACT NUMBER</p> <p>30/04/2016</p>	
<p>GENERAL</p> <p>1. DIMS ARE IN INCHES (MM)</p> <p>2. APPROVED WITH AND TALS (MM)</p> <p>3. MACHINE FINISH 125 LEMBO WITH FIN</p> <p>4. INTERNAL FLAT 2016</p> <p>5. BRIDGE SHAW COMPANY 2016 TO 2015</p>		<p>CLIENT</p> <p>NEX FLOW AIR PRODUCTS CORP.</p> <p>10520 YONCE STREET, UNIT 359-220, RICHMOND HILL, ON L4C 3C7</p> <p>TEL: (416) 410-1313 & FAX: (416) 410-1806 WWW.NEX-FLOW.COM</p>	
<p>REVISIONS</p> <p>1. LINE/DATE: 30/04/2016</p> <p>2. APPROVED: [Signature]</p> <p>3. AMOUNT: 2 1/2"</p> <p>4. HOLE IN ACCORDANCE WITH AND VOLT</p>		<p>CONTRACT NUMBER</p> <p>30/04/2016</p>	
<p>GENERAL</p> <p>1. DIMS ARE IN INCHES (MM)</p> <p>2. APPROVED WITH AND TALS (MM)</p> <p>3. MACHINE FINISH 125 LEMBO WITH FIN</p> <p>4. INTERNAL FLAT 2016</p> <p>5. BRIDGE SHAW COMPANY 2016 TO 2015</p>		<p>CLIENT</p> <p>NEX FLOW AIR PRODUCTS CORP.</p> <p>10520 YONCE STREET, UNIT 359-220, RICHMOND HILL, ON L4C 3C7</p> <p>TEL: (416) 410-1313 & FAX: (416) 410-1806 WWW.NEX-FLOW.COM</p>	

9 8 7 6 5 4 3 2 1