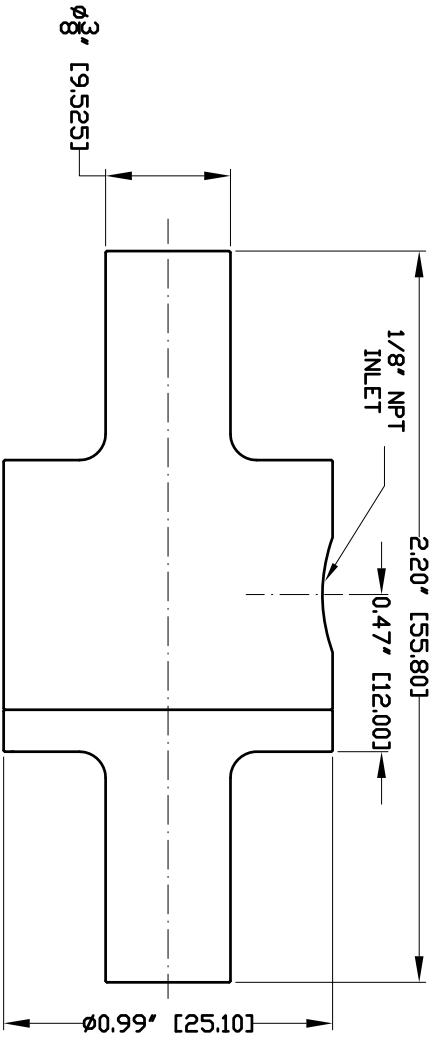
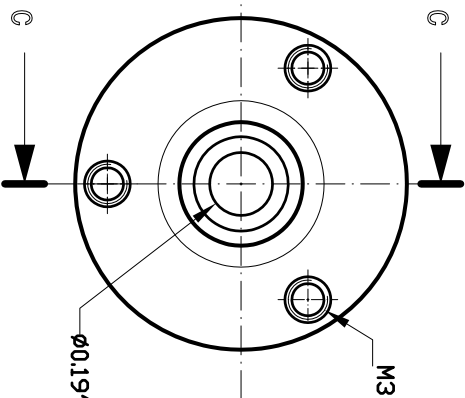


- NOTES:
- 1 ALL DIMENSIONS SHOWN ARE IN INCHES (MM)
 - 2 ALL DIMENSIONS SHOWN ARE FINISH OPERATIONAL DIMENSIONS WHICH INCLUDE RESIDUAL COATINGS UNLESS OTHERWISE SPECIFIED.
 - 3 PART TO BE FLAT PACKED PROPERLY TO AVOID ANY DAMAGE WHILE SHIPPING & HANDLING.
 - 4 ALL HORIZONTAL DIMENSIONS ARE SYMMETRICAL ABOUT VERTICAL CENTER LINE UNLESS OTHERWISE SPECIFIED.



Section view C-C



Front view

REVISIONS		
REV	DESCRIPTION	DATE
-	-	-

<p>THIRD ANGLE PROJECTION</p>		<p>REQUIREMENTS—UNLESS OTHERWISE SPECIFIED</p> <p>GENERAL</p> <p>1. DIMS ARE IN INCHES (MM)</p> <p>2. FINISHING AND TOLERANCING IN ACCORDANCE WITH ASME Y14.5 (2002)</p> <p>3. MACHINE FINISH 125 MICRO INCH RMS</p> <p>4. INTERNAL TAPER 0.15</p> <p>5. BREAK SHOWN CONFORMS A08 TO 015</p>	
<p>MATERIAL</p> <p>ALUMINUM</p>		<p>CONTRACT NUMBER -</p> <p>CLIENT -</p> <p>CONTRACTOR -</p>	
<p>FINISH</p> <p>-</p>		<p>DATE</p> <p>30/04/2016</p> <p>DESIGNED</p> <p>AS/HS/ST</p> <p>DRAWN</p> <p>AS/HS/ST</p> <p>CHECKED</p> <p>AS/HS/ST</p>	
<p>1. LINEAR DIMS: XX = .005 YY = .002 ZZ = .000 AA = .000</p> <p>2. ANGLES = ± 1/2°</p> <p>3. HORIZONTAL DIMS TO CENTER</p> <p>4. HOLES IN ACCORDANCE WITH A89 AND 10897</p>		<p>TITLE</p> <p>3/8" ALUMINIUM RING VAC</p> <p>SCALE 1:1</p> <p>DATE CODE 39998</p> <p>REV</p>	
<p>MANUFACTURING</p> <p>39998</p>		<p>3/8" ALUMINIUM RING VAC</p>	

NEX FLOW AIR PRODUCTS CORP.
10520 YONGE STREET, UNIT 35B-220, RICHMOND HILL, ON L4C 3C7
TEL: (416) 410-1313 & FAX: (416) 410-1806 WWW.NEX-FLOW.COM

3/8" ALUMINIUM RING VAC

DATE 30/04/2016
DESIGNED AS/HS/ST
DRAWN AS/HS/ST
CHECKED AS/HS/ST

8 7 6 5 4 3 2 1