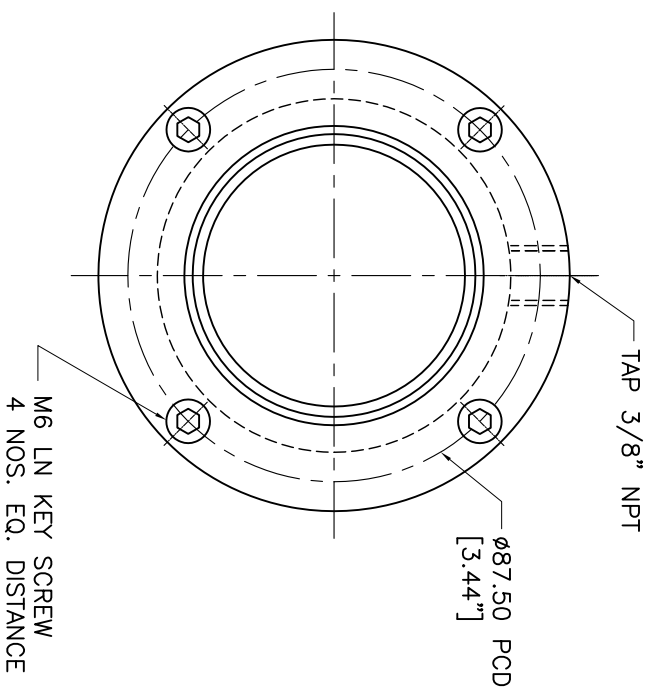
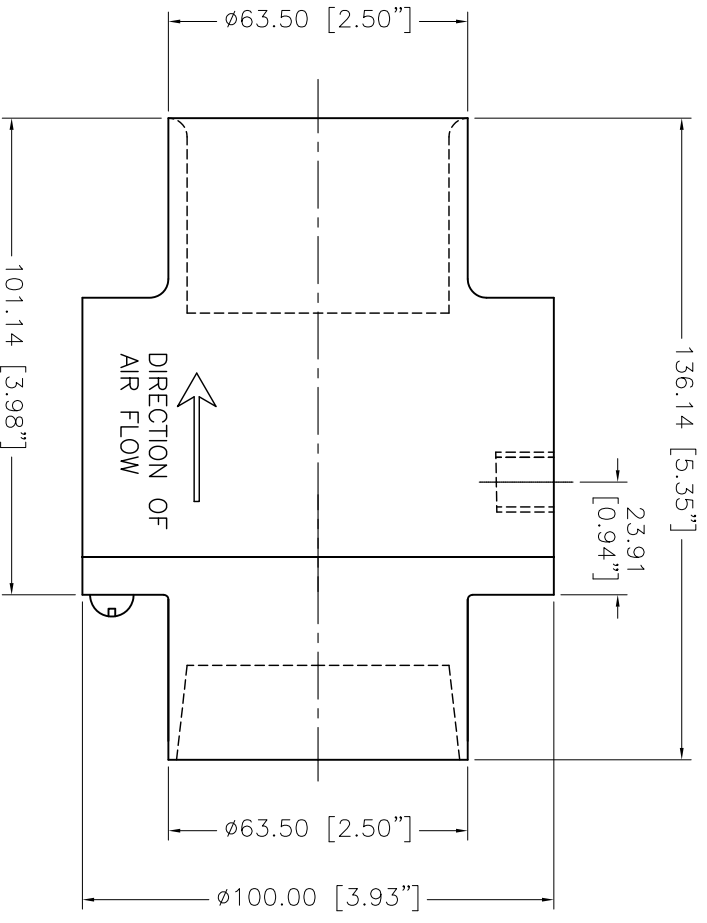


NOTES:
 1 ALL DIMENSIONS SHOWN ARE FINISH OPERATIONAL DIMENSIONS WHICH INCLUDE RESIDUAL COATINGS UNLESS OTHERWISE SPECIFIED.



THIRD ANGLE PROJECTION	
MATERIAL	S.S. 304
FINISH	

- REQUIREMENTS - UNLESS OTHERWISE SPECIFIED
- GENERAL
- DIMS ARE IN INCHES (MM)
 - DISCREPANCY WITH ANSI Y14.5 (1982)
 - MACHINE FINISH 125 MICRO INCH RMS
 - INTERNAL RADI .015
 - BREAK SHARP CORNERS .005 TO .015
- LIMITS
- LINEAR DIMS .005
 - ANGLES .010
 - ANGLES = 2 1/2'
 - HOLDS IN ACCORDANCE WITH AND 10387

CONTRACT NUMBER	CLIENT
CONTRACTOR	DATE
DESIGN	CHECKED
PROJECT	DRAWN
STRESS	MANUFACTURING
THERMAL	MATERIALS
MECHANISM	ELECTRICAL

TITLE		NEX FLOW AIR PRODUCTS CORP.	
10520 YONGE STREET, UNIT 35B-220, RICHMOND HILL, ON L4C 3C7		TEL: (416) 410-1313 & FAX: (416) 410-1806 WWW.NEX-FLOW.COM	
2.5" S.S.304 RING VAC		DATE	10/06/2013
SIZE	C	DESIGNED	LES
SCALE	1:1	DRAWN	300055
REV	P	SHEET	1 OF 1