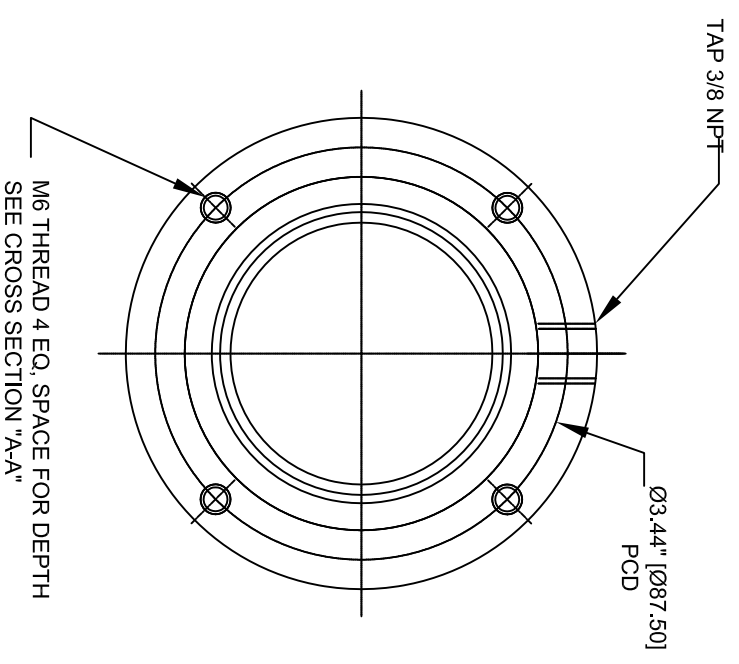
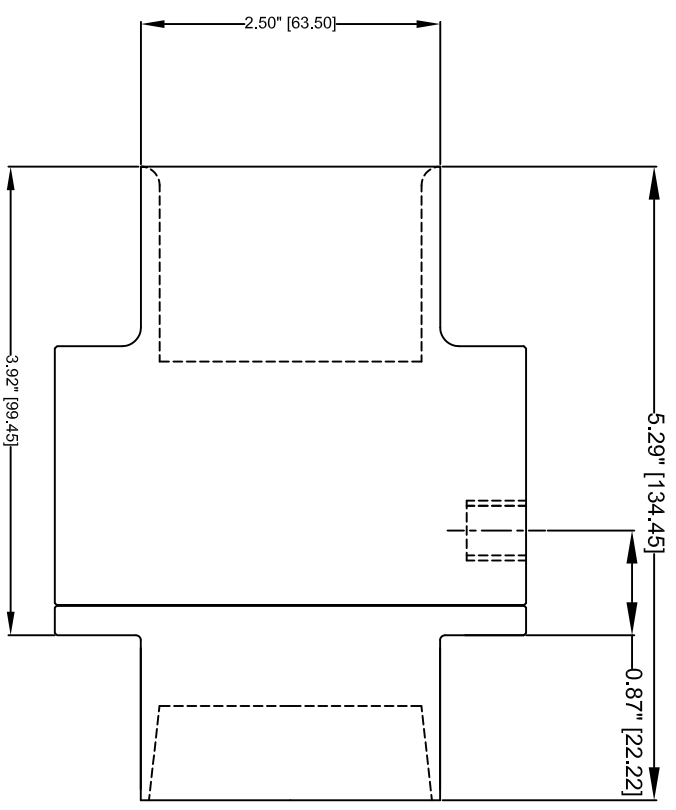


NOTES:  
 1 ALL DIMENSIONS SHOWN ARE FINISH OPERATIONAL DIMENSIONS WHICH INCLUDE RESIDUAL COATINGS UNLESS OTHERWISE SPECIFIED.



M6 THREAD 4 EQ, SPACE FOR DEPTH  
 SEE CROSS SECTION "A-A"

<b>REVISIONS</b> 1. DIMS ARE IN INCHES/UM 2. ACCORDANCE WITH ASST 174.3 (1982) 3. MACHING FINISH 125 MICRO INCH FINISH 4. BREAK SHAPE CONFORMS ADD TO DIM LIMITS 5. BREAK SHAPE CONFORMS ADD TO DIM LIMITS		<b>CONTRACT NUMBER</b> CLIENT CONTRACTOR	
<b>GENERAL</b> 1. LINEAR DIMS. $± .005$ $± .002$ $± .001$ 2. ANGLES ± .005° 3. ROUNDS ± .010" R 4. HOLES IN ACCORDANCE WITH AND 100027		DATE 08-04-11 DRAWN VNS CHECKED LES INCHES 1:1 PART NO. 30005	
<b>REVISIONS</b> 1. LINEAR DIMS. $± .005$ $± .002$ $± .001$ 2. ANGLES ± .005° 3. ROUNDS ± .010" R 4. HOLES IN ACCORDANCE WITH AND 100027		TITLE NEX FLOW AIR PRODUCTS CORP. 10520 YONGE STREET, UNIT 359-220, RICHMOND HILL, ON L4C 3C7 TEL.: (416) 410-1313 & FAX: (416) 410-1806 WWW.NEX-FLOW.COM 2.5" ALUMINUM RING VAC SCALE 2:1 SHEET 1 OF 1	
<b>REVISIONS</b> 1. LINEAR DIMS. $± .005$ $± .002$ $± .001$ 2. ANGLES ± .005° 3. ROUNDS ± .010" R 4. HOLES IN ACCORDANCE WITH AND 100027		MATERIAL ALUMINUM 6061 T6 FINISH --- PART NO. 30005 SHEET 1 OF 1	