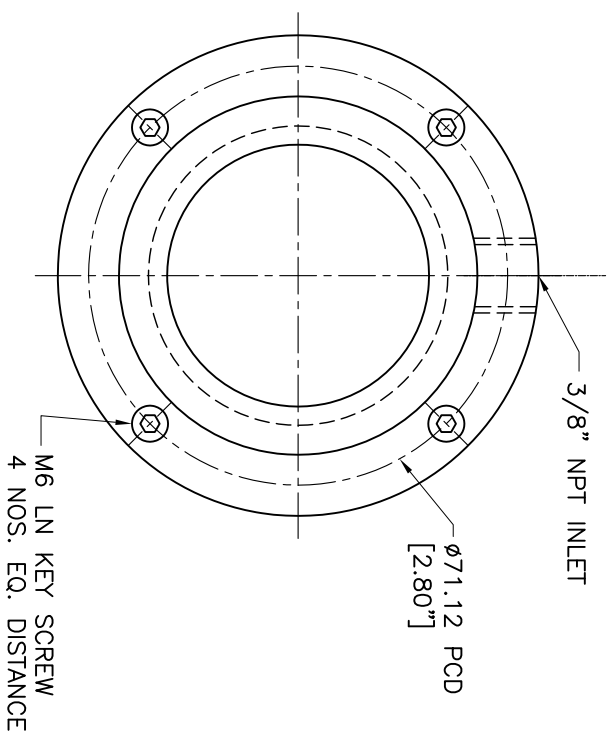
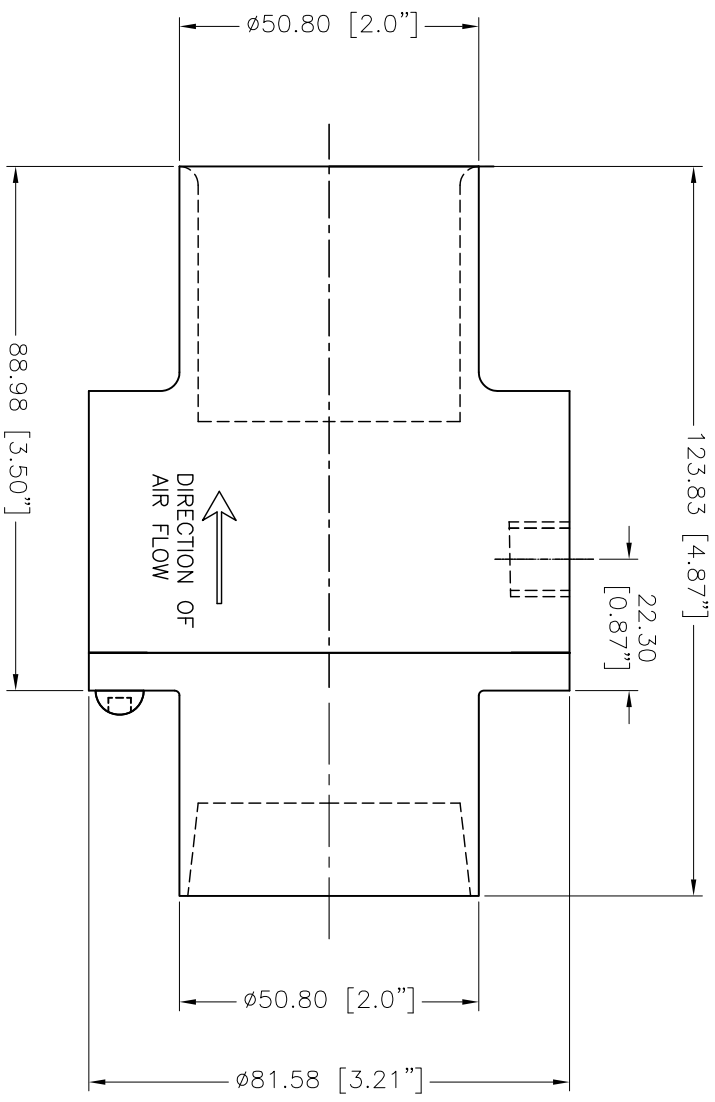


NOTES:
 1 ALL DIMENSIONS SHOWN ARE FINISH OPERATIONAL DIMENSIONS WHICH INCLUDE RESIDUAL COATINGS UNLESS OTHERWISE SPECIFIED.



REQUIREMENTS-UNLESS OTHERWISE SPECIFIED		CONTRACT NUMBER -	
GENERAL		CLIENT	-
1. DIMS ARE IN INCHES (MM)		CONTRACTOR	-
2. DIMENSIONING AND TOLERANCING IN ACCORDANCE WITH ANSI Y14.5 (1982)		DATE	10/06/2013
3. MACHINE FINISH 725 MICRO INCH RMS		DESIGN	LES
4. INTERNAL RADIUS .015 MICRO INCH RMS		PROJECT	Q.L.
5. BREAK SHARP CORNERS .005 TO .015		MANUFACTURING	-
LIMITS		MATERIALS	-
1. LINEAR DIMS.		ELECTRICAL	-
.XXX = .005		SIZE	C
.XX = .010		CAGE CODE	-
.X = .030		DWG NO.	300004S
2. ANGLES = ± 1/2°		SCALE	1:1
3. ROUNDOFF .010 MIN		CAD NO.	2"-SSRV
4. HOLES IN ACCORDANCE WITH AND 10397		SHEET	1 OF 1
FINISH		REV	-
THIRD ANGLE PROJECTION			
MATERIAL			
S.S. 304			
TITLE		NEX FLOW AIR PRODUCTS CORP.	
		10520 YONCE STREET, UNIT 339-220, RICHMOND HILL, ON L4C 3C7	
		TEL: (416) 410-1513 & FAX: (416) 410-1608 WWW.NEX-FLOW.COM	
		OUTLINE DRAWING OF	
		2" S.S.304 RING VAC	