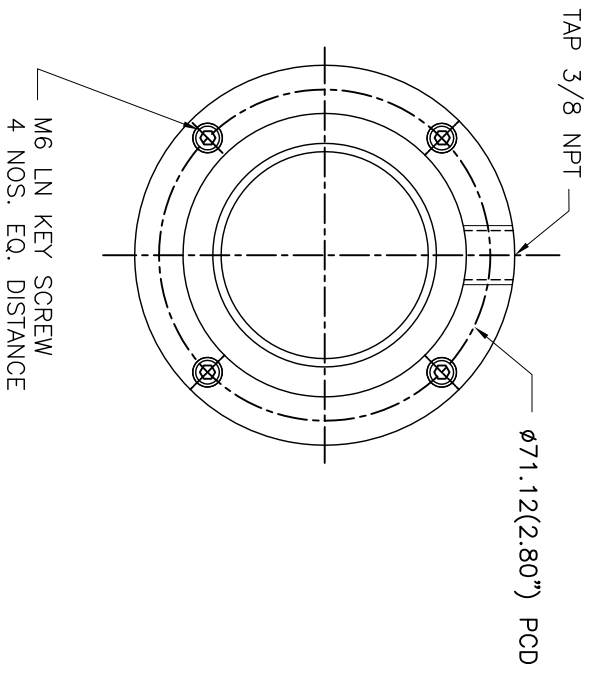
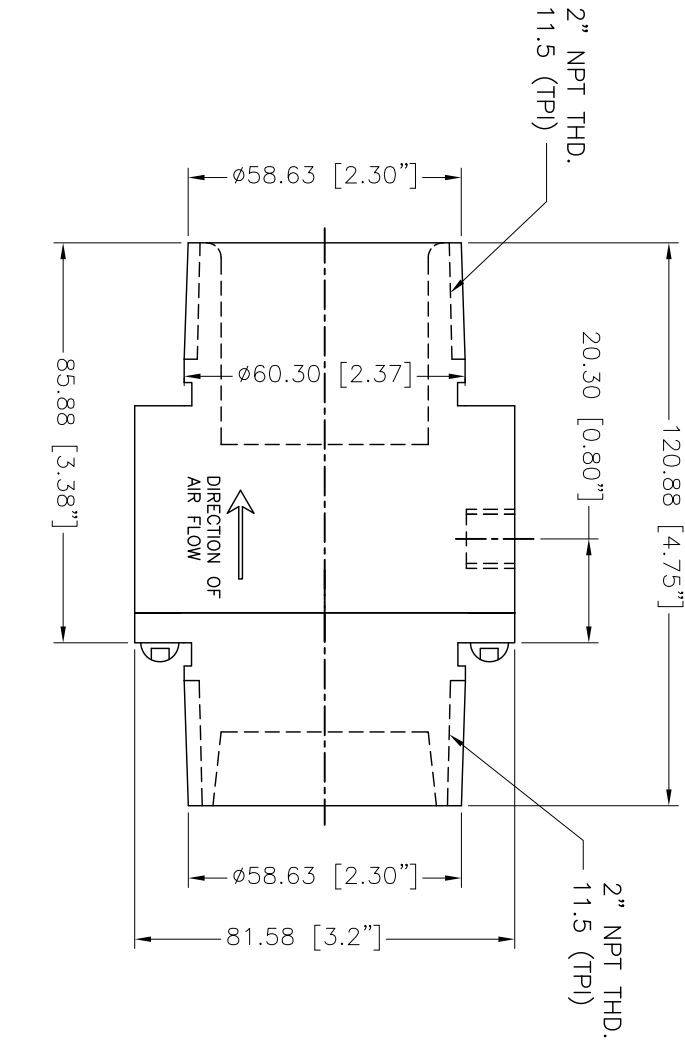


REVISIONS			
REV	DESCRIPTION	DATE	APPROVED
-	-	-	-



PART NO		REV		REV		REV		REV		REV	
AL											

REVISIONS	DATE	BY	CHKD	APP'D
1. LAYOUT	07/08/2013			
2. PARTS				
3. CHECKED				
4. APPROVED				

REVISIONS	DATE	BY	CHKD	APP'D
1. LAYOUT	07/08/2013			
2. PARTS				
3. CHECKED				
4. APPROVED				

REVISIONS	DATE	BY	CHKD	APP'D
1. LAYOUT	07/08/2013			
2. PARTS				
3. CHECKED				
4. APPROVED				