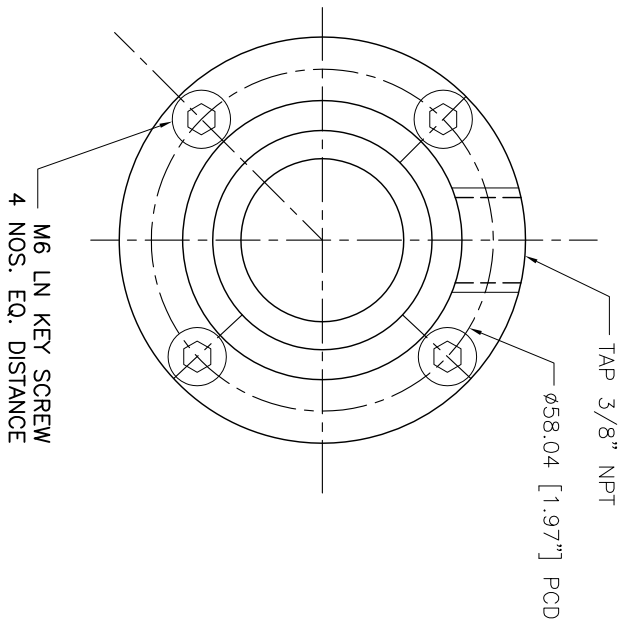
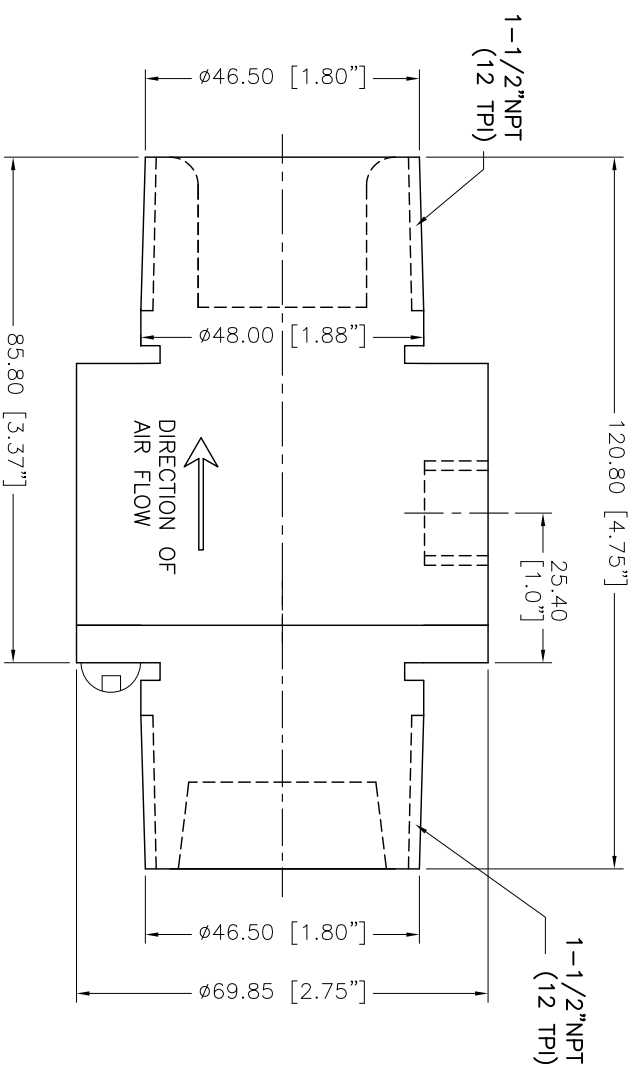


NOTES:
 1 ALL DIMENSIONS SHOWN ARE FINISH OPERATIONAL DIMENSIONS WHICH INCLUDE
 RESIDUAL COATINGS UNLESS OTHERWISE SPECIFIED.



		REVISIONS 1. DIMS ARE IN INCHES (UN) 2. UNDESIGNED AND UNDESIGNED DIMS 3. MACHINING FINISH 125 MICRO INCH RMS 4. INTERNAL RADIUS .015 TO .018 UNLESS SPECIFIED OTHERWISE		CONTRACT NUMBER CLIENT: CONTRACTOR: DATE: 10/06/2013 DRAWN: CHECKED: APPROVED:		TITLE NEX FLOW AIR PRODUCTS CORP. 157 S.S. 304 OUTLINE DRAWING OF TAPERED RING VAC		DATE 11-1 QTY 30003TS SCALE 1:1 SHEET 1 of 1	
MATERIAL S.S. 304		FINISH 125 MICRO INCH RMS UNLESS SPECIFIED OTHERWISE		REVISIONS 1. LARGER DIMS. 2. PARTIAL 3. PARTIAL 4. HOLES IN ACCORDANCE WITH AND 100%		REVISIONS 1. LARGER DIMS. 2. PARTIAL 3. PARTIAL 4. HOLES IN ACCORDANCE WITH AND 100%		REVISIONS 1. LARGER DIMS. 2. PARTIAL 3. PARTIAL 4. HOLES IN ACCORDANCE WITH AND 100%	
PART NO. 30003TS		USED ON 1. 30003TS		USED ON 1. 30003TS		USED ON 1. 30003TS		USED ON 1. 30003TS	