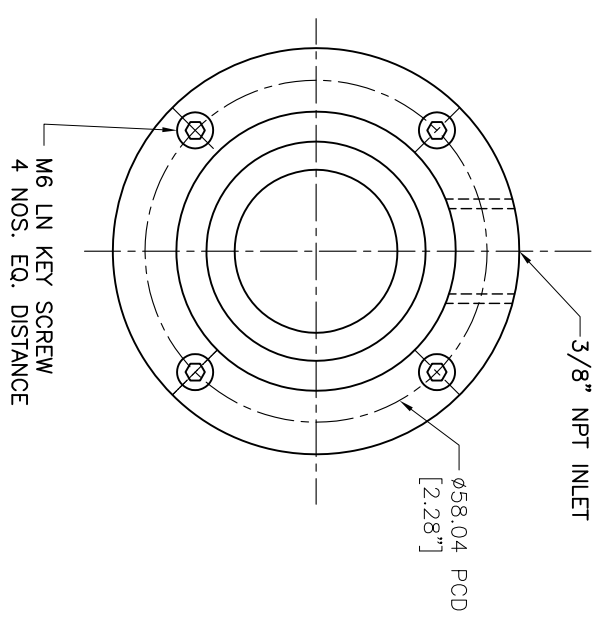
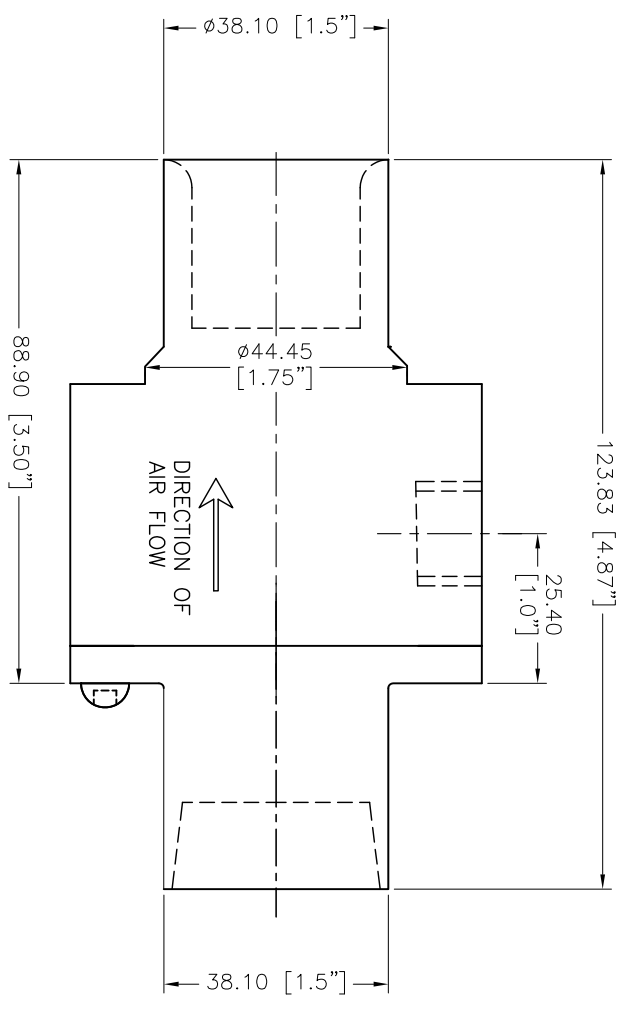


NOTES:
 1 ALL DIMENSIONS SHOWN ARE FINISH OPERATIONAL DIMENSIONS WHICH INCLUDE RESIDUAL COATINGS UNLESS OTHERWISE SPECIFIED.



REQUIREMENTS UNLESS OTHERWISE SPECIFIED GENERAL 1. DIMS ARE IN INCHES (MM) 2. DIMENSIONING AND TOLERANCING IN ACCORDANCE WITH ASME Y14.5-2018 3. SURFACE FINISH: 125 MICRO INCH RMS 4. INTERNAL RADIUS: .015 5. BREAK SHARP CORNERS: .005 TO .015 6. HOLES IN ACCORDANCE WITH AND 103B7		CONTRACT NUMBER - CLIENT: - CONTRACTOR: - DATE: 06/20/13 DRAWN BY: LES CHECKED BY: LES PROJECT: O.A. MANUFACTURING MATERIALS: - THERMAL: - MECHANICAL: - ELECTRICAL: -		TITLE NEX FLOW AIR PRODUCTS CORP. 10520 YONKE STREET, UNIT 359-220, RICHMOND HILL, ON L4C 3G7 TEL: (416) 410-1313 & FAX: (416) 410-1806 www.nfx-air.com 1.5" S.S.304 RING VAC	
FINISH HAND ANGLE PRODUCTION MATERIAL: S.S. 304		STRESS STRESS: - THERMAL: - MECHANICAL: - ELECTRICAL: -		SCALE 1:1 CAD NO. 1.5"-SSRV SHEET 1 of 1	

8 7 6 5 4 3 2 1