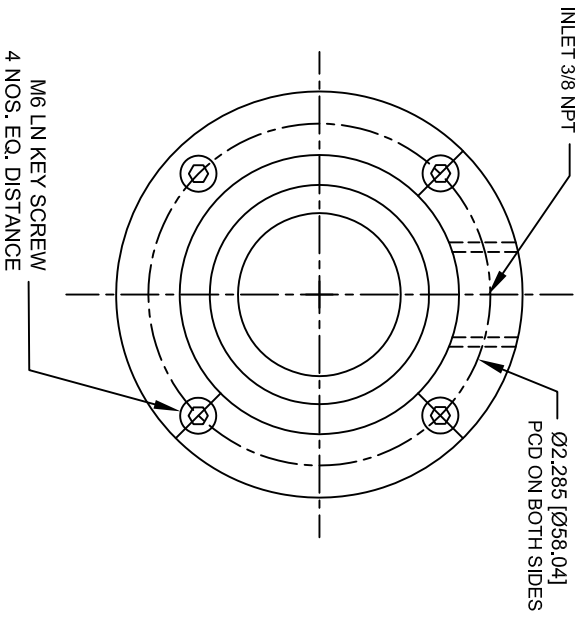
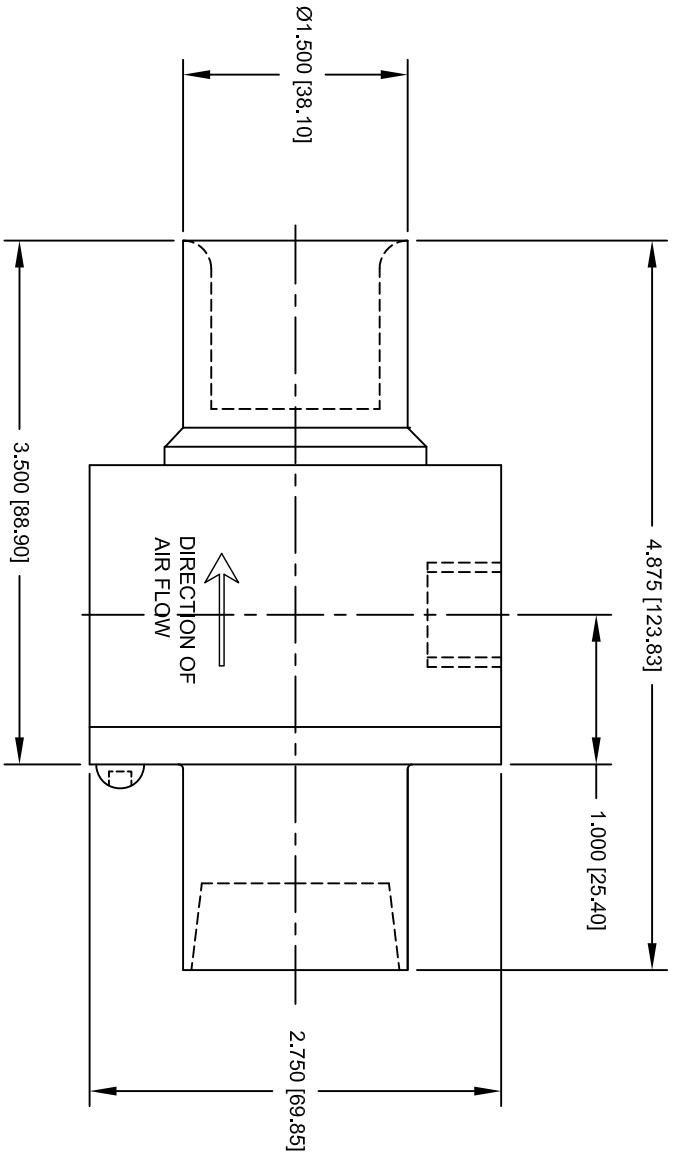


NOTES:  
 1 ALL DIMENSIONS SHOWN ARE FINISH OPERATIONAL DIMENSIONS WHICH INCLUDE RESIDUAL COATINGS UNLESS OTHERWISE SPECIFIED.



<b>THIRD ANGLE PROJECTION</b> ALUMINUM 6061 T6					
<b>REVISIONS</b> 1. UNLESS OTHERWISE SPECIFIED DIMENSIONS ARE IN INCHES (PARENTHESIZED DIMENSIONS ARE IN MILLIMETERS) 2. FINISHES AND TOLERANCES ARE AS SHOWN 3. MACHINE FINISH UNLESS OTHERWISE SPECIFIED 4. INTERNAL RADIUS .015 UNLESS OTHERWISE SPECIFIED 5. BREAK SHOWN CONFORMS TO ASME Y14.11		<b>CONTRACT NUMBER</b> -		<b>CLIENT</b> -	
<b>FINISH</b> -		<b>PROJECT</b> -		<b>DATE</b> 09-04-11	
<b>PART NO.</b> -		<b>REV.</b> -		<b>DESCRIPTION</b> 1.5" ALUMINUM RING VAC	
<b>INSTR. ASSEMBLY</b> -		<b>MANUFACTURING</b> -		<b>SIZE</b> C	
<b>USED ON</b> -		<b>MATERIALS</b> -		<b>CODE CODE</b> 30003	
<b>NOT FOR PART NO.</b> -		<b>ELECTRICAL</b> -		<b>QTY NO.</b> 1	
<b>3. Holes in accordance with ASME Y14.11</b>		<b>4. Holes in accordance with ASME Y14.11</b>		<b>QTY NO.</b> 1	
<b>1. UNLESS OTHERWISE SPECIFIED</b>		<b>2. UNLESS OTHERWISE SPECIFIED</b>		<b>QTY NO.</b> 1	
<b>3. UNLESS OTHERWISE SPECIFIED</b>		<b>4. UNLESS OTHERWISE SPECIFIED</b>		<b>QTY NO.</b> 1	

REV	DESCRIPTION	DATE	APPROVED

NEX FLOW AIR PRODUCTS CORP.  
 10520 YONGE STREET, UNIT 259-220, RICHMOND HILL, ON L4C 3J7  
 TEL: (416) 410-5115 & FAX: (416) 410-1605 WWW.NEX-FLOW.COM

OUTLINE DRAWING OF  
 1.5" ALUMINUM RING VAC

30003  
 1 of 1