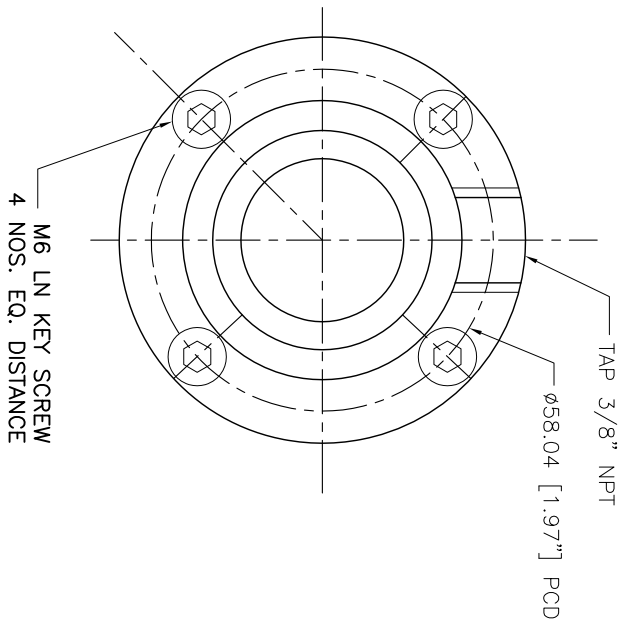
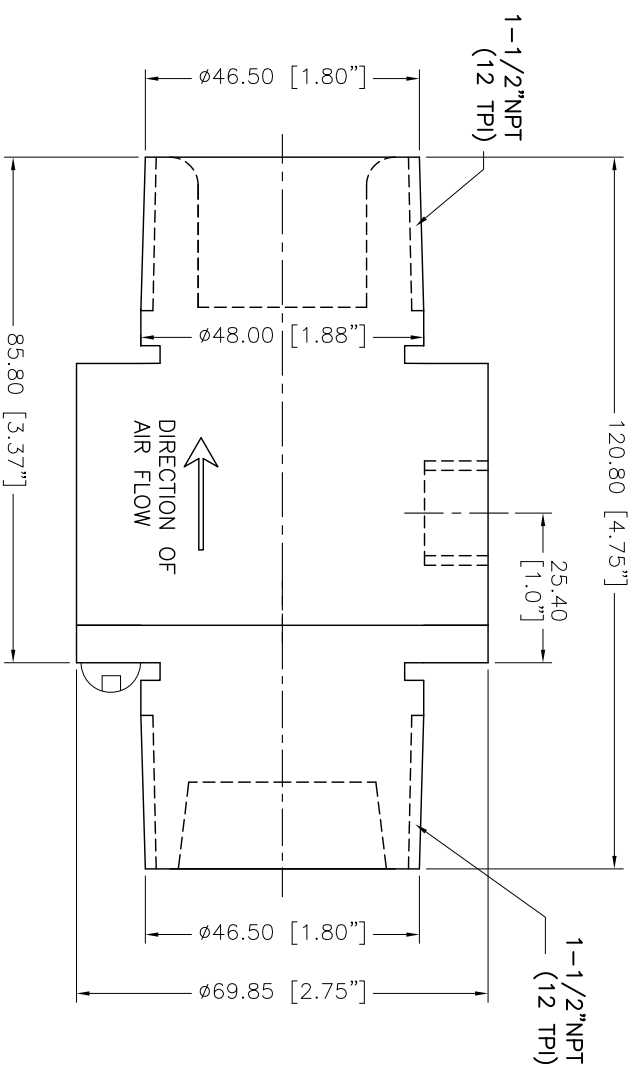


NOTES:
 1 ALL DIMENSIONS SHOWN ARE FINISH OPERATIONAL DIMENSIONS WHICH INCLUDE RESIDUAL COATINGS UNLESS OTHERWISE SPECIFIED.



REVISIONS 1. DIMS ARE IN INCHES (UN) 2. DIMENSIONS AND TOLERANCES ARE IN MILLIMETERS (MM) 3. MACHINING FINISH 125 MICRO INCH RMS 4. INTERNAL RADIUS .015 TO .018 5. HOLE SIZES .0007 6. HOLE SIZES IN ACCORDANCE WITH AMS 10007		CONTRACT NUMBER CUSTOMER: NEX CONTRACTOR: SEATTLE DATE: 07/06/2015 DRAWN: [blank] CHECKED: [blank] APPROVED: [blank]	
PRODUCTION MATERIAL: AL		TITLE NEX FLOW AIR PRODUCTS CORP. 15" THREADED ALUMINUM RING VAC	
FINISH PART NO: [blank]		REQD QTY: 30003T CAGE CODE: [blank] DATE: 1-1-15	

