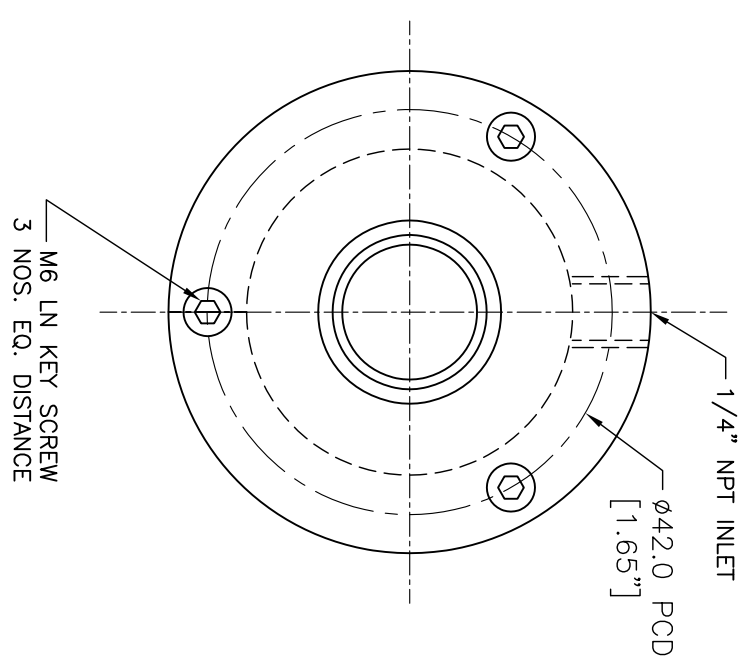
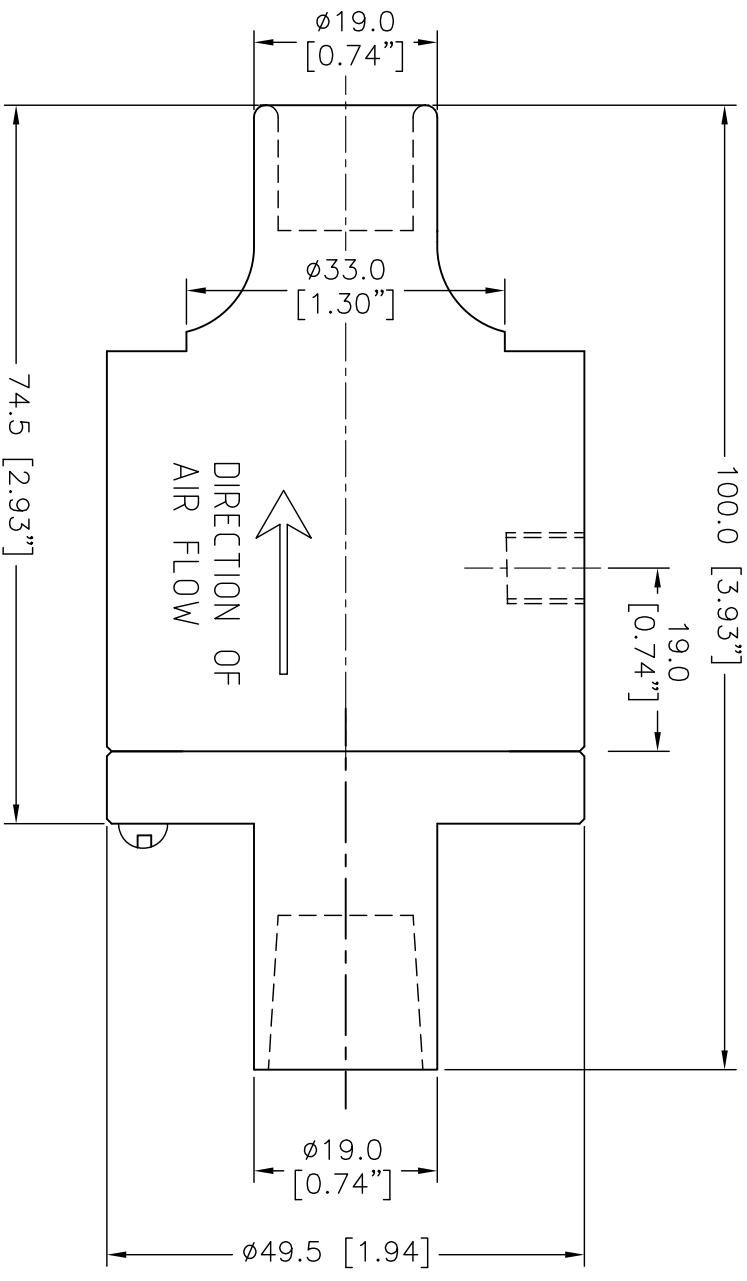


NOTES:
 1 ALL DIMENSIONS SHOWN ARE FINISH OPERATIONAL DIMENSIONS WHICH INCLUDE RESIDUAL COATINGS UNLESS OTHERWISE SPECIFIED.



THIRD ANGLE PROJECTION		REQUIREMENTS—UNLESS OTHERWISE SPECIFIED		CONTRACT NUMBER —		GENERAL		CLIENT		NEX FLOW AIR PRODUCTS CORP. 10520 YONCE STREET, UNIT 358-220, RICHMOND HILL, ON L4C 3C7 TEL: (416) 410-1313 & FAX: (416) 410-1808 WWW.NEX-FLOW.COM	
MATERIAL		S.S. 304		1. DIMS ARE IN INCHES (MM)		2. DIMENSIONING AND TOLERANCING IN ACCORDANCE WITH ANSI Y14.5 (1982)		3. MACHINE FINISH 125 MICRO INCH RMS		4. INTERNAL RADI .015	
FINISH				5. BREAK SHARP CORNERS .005 TO .015 LIMITS		1. LINEAR DIMS: XXX = .005 XX = .010 X = .030 Ø = .030 / 7°		2. ANGLES = ± 1/2°		3. ROUNDT .010 TH	
				4. HOLES IN ACCORDANCE WITH AND 10387		DRAWN		DATE		TITLE	
				DESIGN		10/06/2013		CHECKED		3/4" S.S.304 RING VAC	
				PROJECT		LES		Q.A.		SIZE	
				STRESS		—		MANUFACTURING		DWG NO	
				THERMAL		—		MATERIALS		30000S	
				MECHANISM		—		ELECTRICAL		SCALE	
										1:1	
										CVD NO	
										0.75"-SSRV	
										SHEET	
										1 OF 1	

8 7 6 5 4 3 2 1

A B C D E