

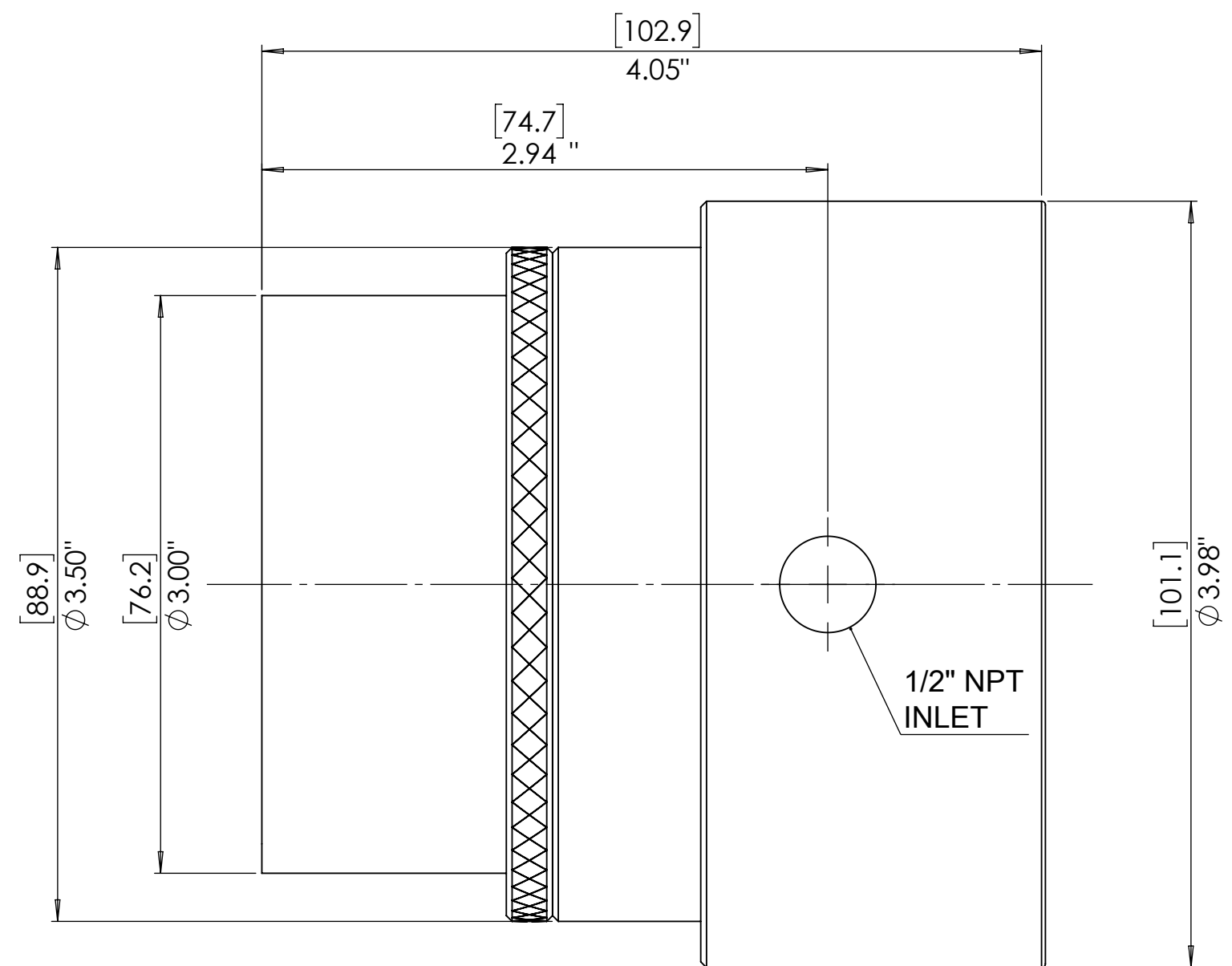
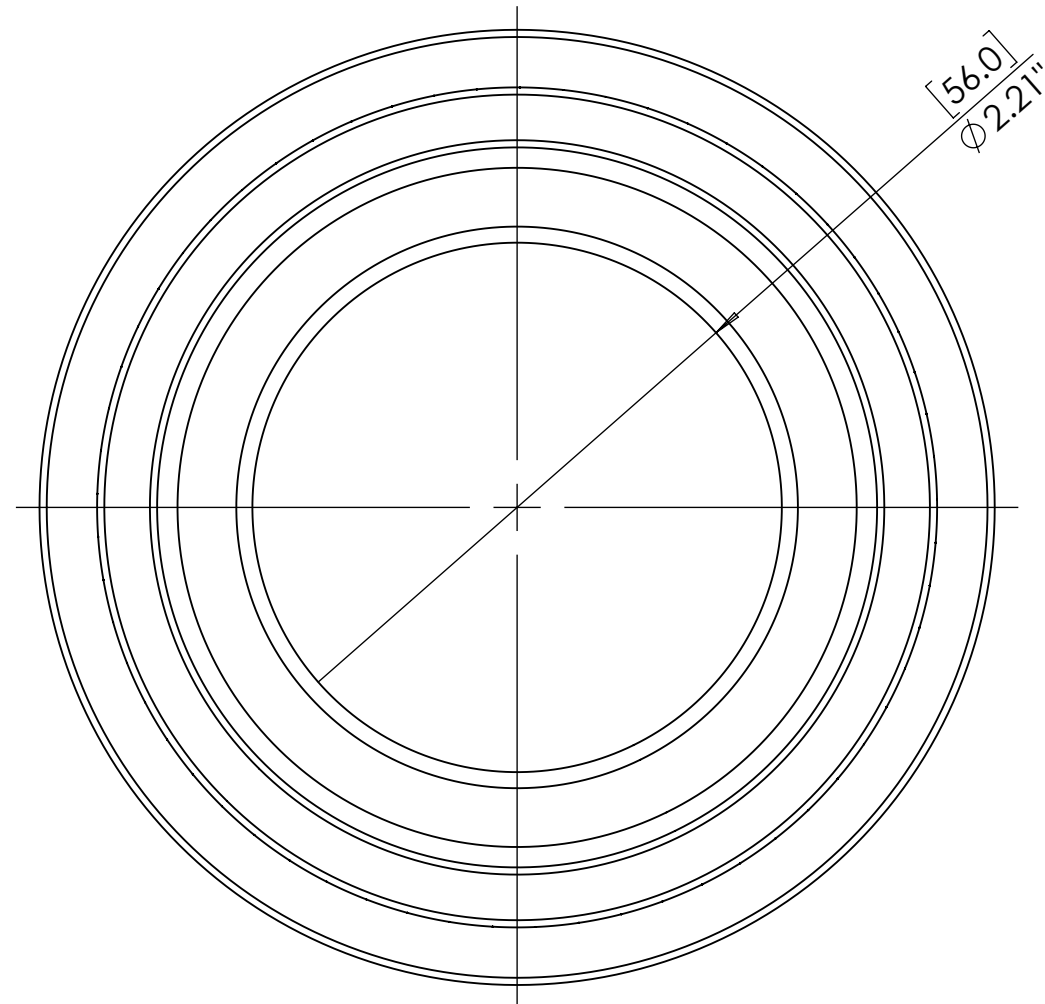
4 3 2 1

B

A

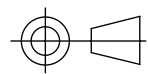
B

A



1/2" NPT INLET

PROPRIETARY AND CONFIDENTIAL
 THE INFORMATION CONTAINED IN THIS DRAWING IS THE SOLE PROPERTY OF NEXFLOW. ANY REPRODUCTION IN PART OR AS A WHOLE WITHOUT THE WRITTEN PERMISSION OF NEXFLOW IS PROHIBITED.

		UNLESS OTHERWISE SPECIFIED:	NAME	DATE	NEX FLOW™ AIR PRODUCTS CORP. 10520 YOUNG STREET, UNIT 35B220, RICHMOND HILL, ON, L4C 3C7 TEL: (416) 410-1313 & FAX: (416) 410-1806 www.nexflow.com	
		DIMENSIONS ARE IN INCHES	DRAWN	AFAN	08/09/24	TITLE: OUTLINE DRAWING OF ADJUSTABLE AIR AMPLIFIER SIZE 3"
		TOLERANCES: FRACTIONAL ± ANGULAR: MACH ± BEND ± TWO PLACE DECIMAL ± THREE PLACE DECIMAL ±	CHECKED			
		INTERPRET GEOMETRIC TOLERANCING PER:	ENG APPR.			
		MATERIAL	MFG APPR.			
NEXT ASSY	USED ON	FINISH	Q.A.			SIZE B MODEL #: 40003 REV 1
APPLICATION		DO NOT SCALE DRAWING			SCALE: 1.25 WEIGHT: SHEET 1 OF 1	

4 3 2 1