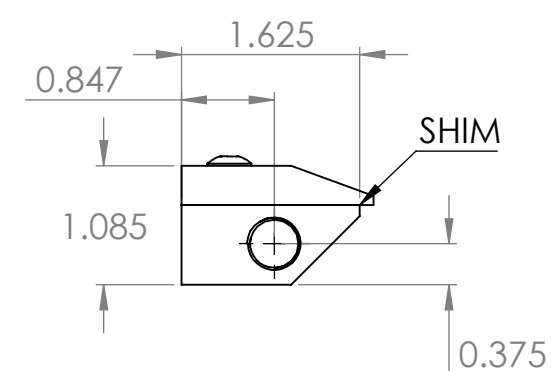
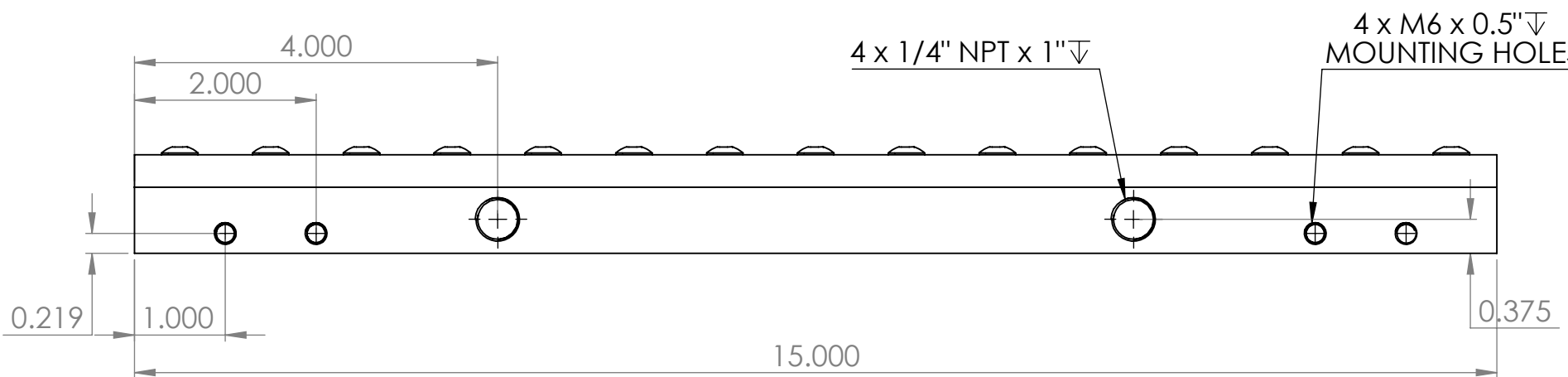
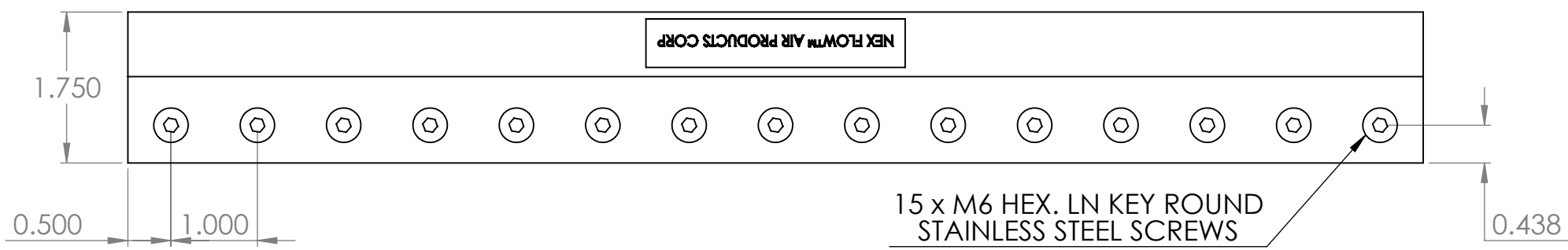
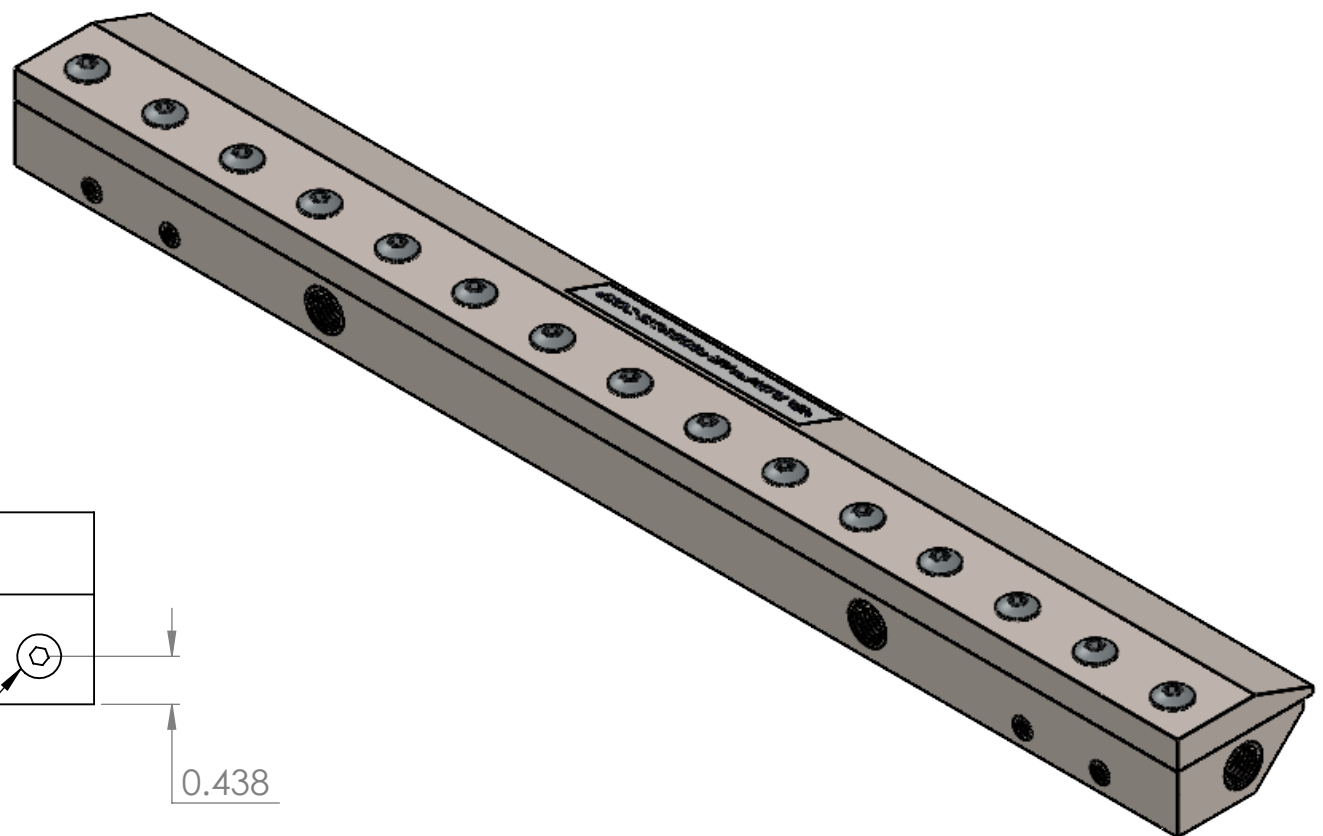


4

3

2

1



B

B

A

A

**PROPRIETARY AND CONFIDENTIAL**

THE INFORMATION CONTAINED IN THIS DRAWING IS THE SOLE PROPERTY OF NEXFLOW. ANY REPRODUCTION IN PART OR AS A WHOLE WITHOUT THE WRITTEN PERMISSION OF NEXFLOW IS PROHIBITED.

		UNLESS OTHERWISE SPECIFIED:		NAME	DATE	NEX FLOW™ AIR PRODUCTS CORP. 10520 YOUNG STREET, UNIT 35B220, RICHMOND HILL, ON, L4C 3C7 TEL: (416) 410-1313 & FAX: (416) 410-1806 <a href="http://www.nexflow.com">www.nexflow.com</a>	
		DIMENSIONS ARE IN INCHES TOLERANCES: FRACTIONAL ± ANGULAR: MACH ± BEND ± TWO PLACE DECIMAL ± THREE PLACE DECIMAL ±		DRAWN	AMMAD	SEPT/4/21	TITLE: <b>15" X-STREAM AIR BLADE AIR KNIFE</b>
		INTERPRET GEOMETRIC TOLERANCING PER:		CHECKED			SIZE MODEL #: <b>B 10015XS</b>
		MATERIAL SS-316L		ENG APPR.			REV <b>1</b>
		FINISH		MFG APPR.			SCALE: 1:1.75 WEIGHT:
NEXT ASSY	USED ON			Q.A.			SHEET 1 OF 1
APPLICATION		DO NOT SCALE DRAWING					

4

3

2

1