

4

3

2

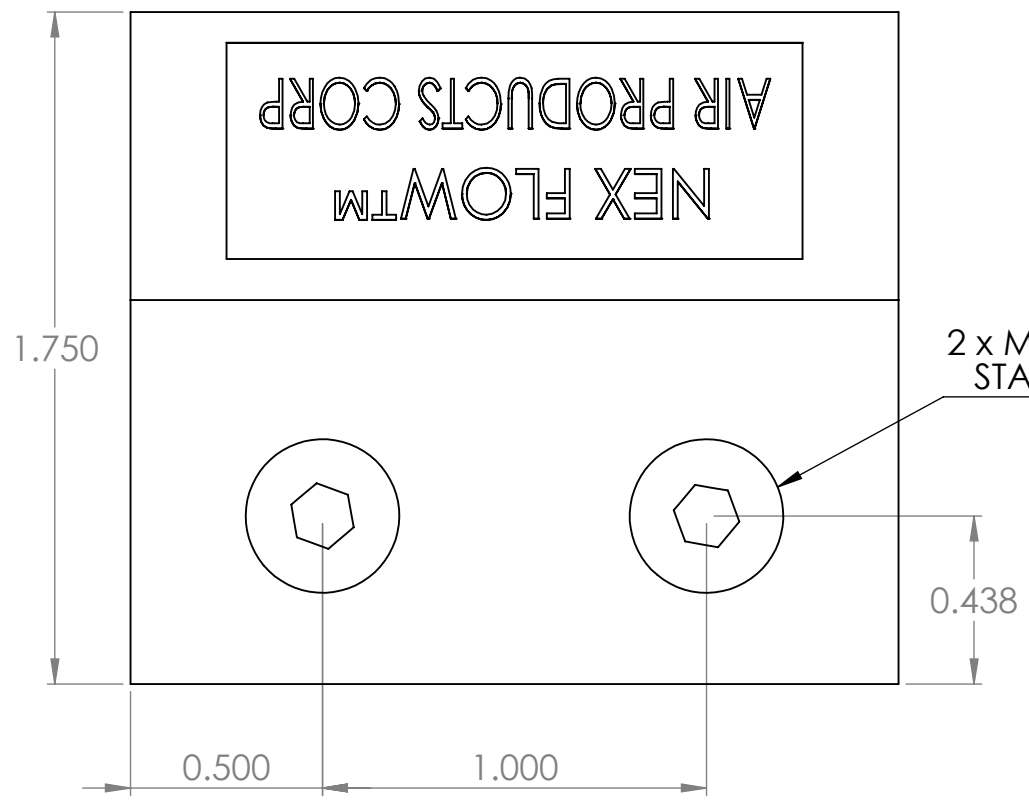
1

B

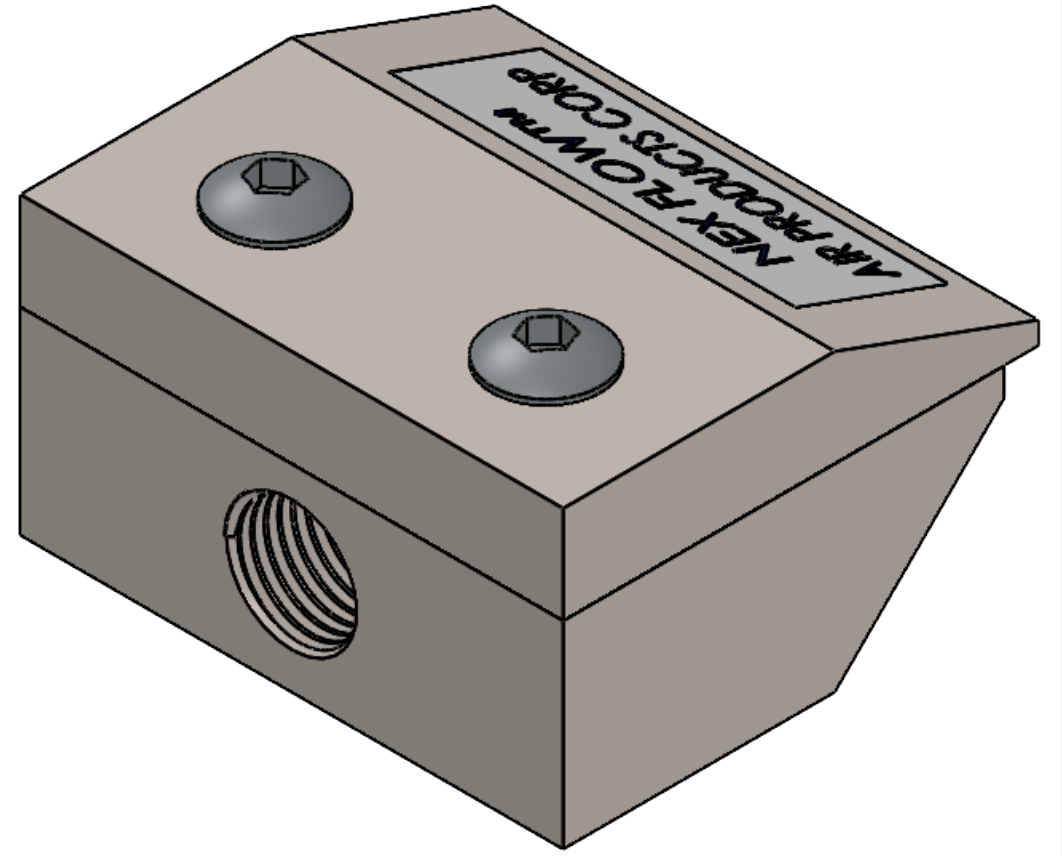
B

A

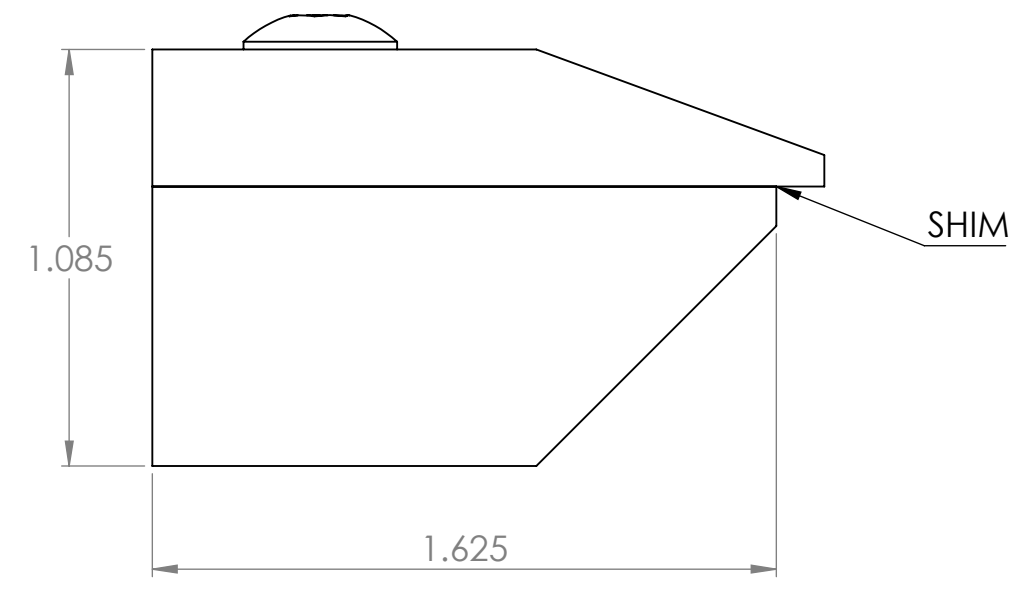
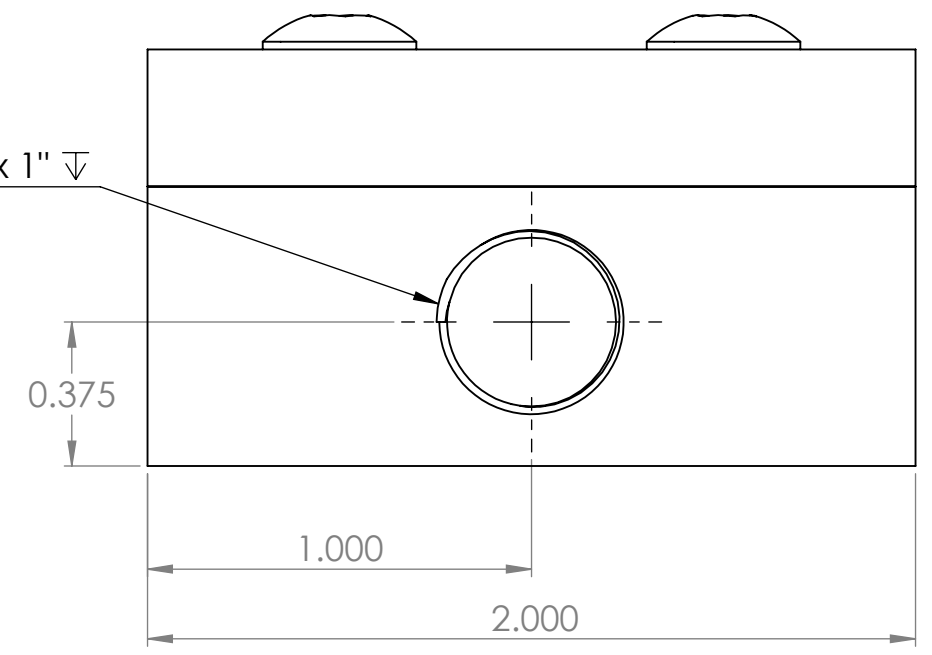
A



2 x M6 HEX. LN KEY ROUND STAINLESS STEEL SCREWS



1/4" NPT x 1" ∇



PROPRIETARY AND CONFIDENTIAL
THE INFORMATION CONTAINED IN THIS DRAWING IS THE SOLE PROPERTY OF NEXFLOW. ANY REPRODUCTION IN PART OR AS A WHOLE WITHOUT THE WRITTEN PERMISSION OF NEXFLOW IS PROHIBITED.

		UNLESS OTHERWISE SPECIFIED:		NAME	DATE
		DIMENSIONS ARE IN INCHES		DRAWN	AMMAD SEPT/2/21
		TOLERANCES:		CHECKED	
		FRACTIONAL: ±		ENG APPR.	
		ANGULAR: MACH ± BEND ±		MFG APPR.	
		TWO PLACE DECIMAL ±		Q.A.	
		THREE PLACE DECIMAL ±			
		INTERPRET GEOMETRIC TOLERANCING PER:			
		MATERIAL			
		SS-316L			
NEXT ASSY	USED ON	FINISH			
APPLICATION		DO NOT SCALE DRAWING			

NEX FLOW™ AIR PRODUCTS CORP. 10520 YOUNG STREET, UNIT 35B220, RICHMOND HILL, ON, L4C 3C7 TEL: (416) 410-1313 & FAX: (416) 410-1806 www.nexflow.com		
TITLE: 2" X-STREAM AIR BLADE AIR KNIFE		
SIZE	MODEL #:	REV
B	10002XS	1
SCALE: 2:1	WEIGHT:	SHEET 1 OF 1

4

3

2

1