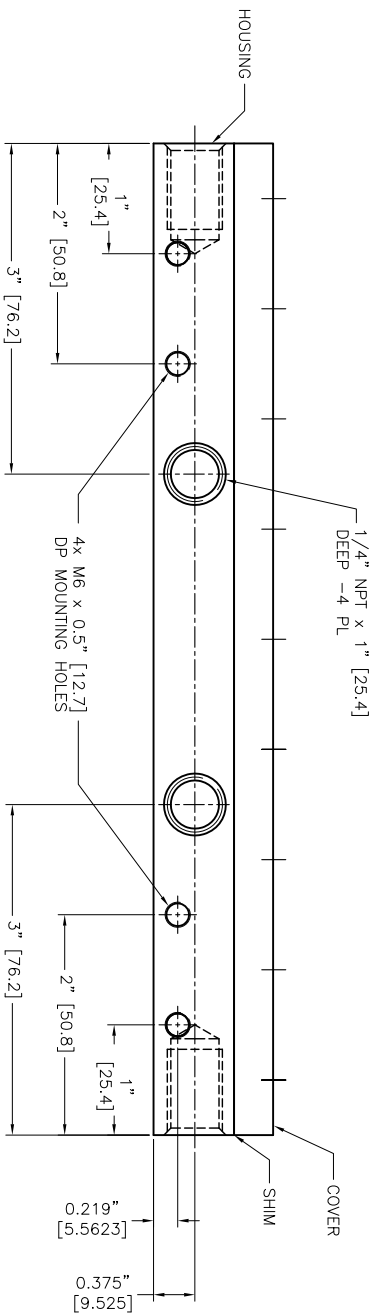
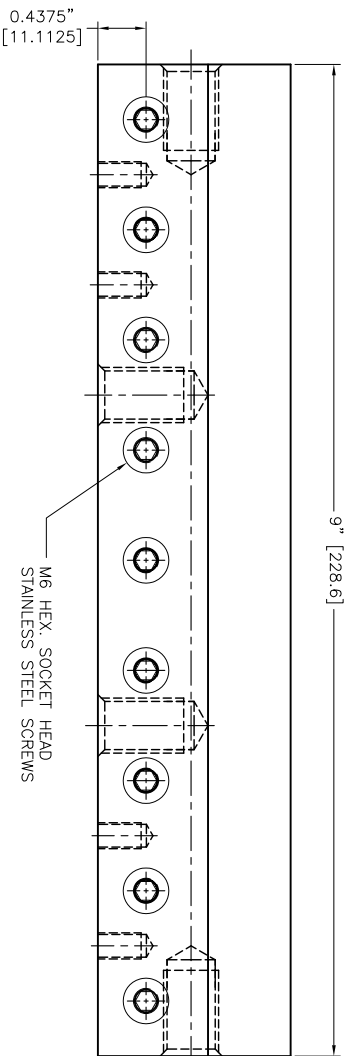
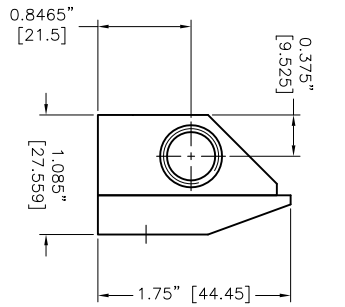


- NOTES:
- 1 ALL DIMENSIONS SHOWN ARE FINISH OPERATIONAL DIMENSIONS WHICH INCLUDE RESIDUAL COATINGS UNLESS OTHERWISE SPECIFIED.
 - 2 PART TO BE PACKED PROPERLY TO AVOID ANY DAMAGE WHILE SHIPPING & HANDLING.
 - 3 ALL HORIZONTAL DIMENSIONS ARE SYMMETRICAL ABOUT CENTER LINE UNLESS OTHERWISE SPECIFIED.



THIRD ANGLE PROJECTION		MATERIAL ALUMINIUM		HOUSING	
FINISH -		PART NO. -		NEXT ASSEMBLY -	
REQUIREMENTS - UNLESS OTHERWISE SPECIFIED		CONTRACT NUMBER -		CLIENT -	
1. DIMENSIONS TO UNLESS OTHERWISE SPECIFIED 2. DIMENSIONS AND TOLERANCES IN ACCORDANCE WITH ANSI Y14.5 (1982) 3. MAKE FINISH 125 MICRO INCH RMS & BREAK SHARP CORNERS .005 TO .015 LIMITS 4. HOLES IN ACCORDANCE WITH ANSI 109B7		DATE 27/11/2013		CONTRACTOR -	
1. LINEAR DIMS. .005 .010 .020 .030 .040 .050 .060 .070 .080 .090 .100 .120 .150 .200 .250 .300 .400 .500 .600 .700 .800 .900 1.000 1.200 1.500 2.000 2.500 3.000 4.000 5.000 6.000 8.000 10.000 12.000 15.000 20.000 25.000 30.000 40.000 50.000 60.000 80.000 100.000 120.000 150.000 200.000 250.000 300.000 400.000 500.000 600.000 800.000 1000.000		DRAWN S.PATIL		DATE 27/11/2013	
2. ANGLES ± 1/2°		DESIGN S.PATIL		DATE 27/11/2013	
3. ROUNDOFF .010 R		PRODUCT -		MANUFACTURING -	
4. HOLE IN ACCORDANCE WITH ANSI 109B7		STRESS -		WARRANTY -	
5. FINISH -		MECHANICAL -		ELECTRICAL -	
6. DIMENSIONS -		SIZE -		DATE CODE -	
7. SCALE 1:1		QTY PER PART NO. -		DWG NO. 10009X	
8. PART NO. -		USED ON -		REL -	
9. HOLE IN ACCORDANCE WITH ANSI 109B7		REVISIONS -		REV -	
10. HOLE IN ACCORDANCE WITH ANSI 109B7		SCALE 1:1		SHEET 1 OF 1	

NEX FLOW AIR PRODUCTS CORP.
 10520 YONCE STREET, UNIT 358-220, RICHMOND HILL, ON L4C 3C7
 TEL: (416) 410-1313 & FAX: (416) 410-1806 WWW.NEX-FLOW.COM

9" X-STREAM AIR BLADE AIR KNIFE
 OUTLINE DRAWING OF