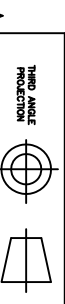
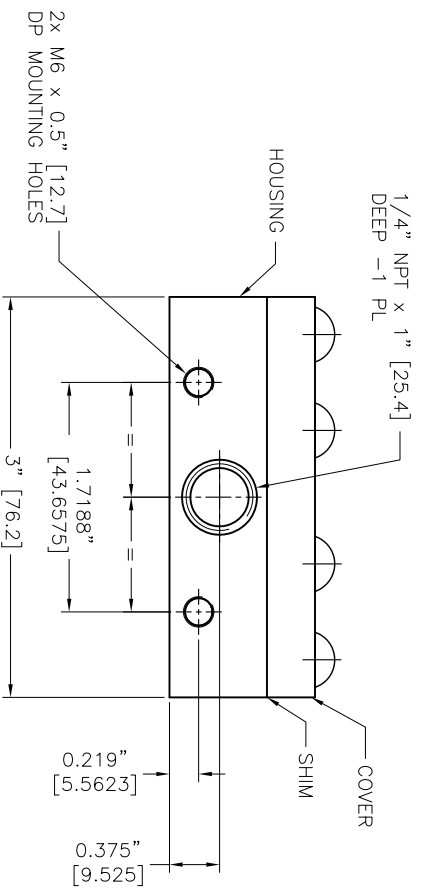
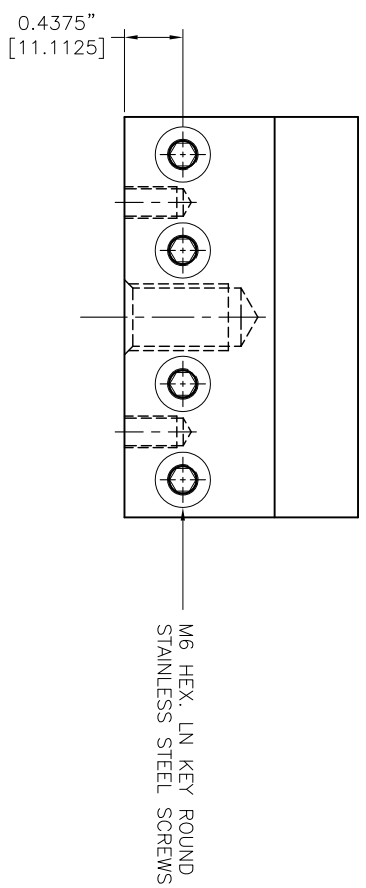
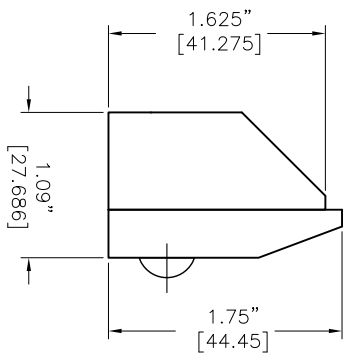


- NOTES:
- 1 ALL DIMENSIONS SHOWN ARE FINISH OPERATIONAL DIMENSIONS WHICH INCLUDE RESIDUAL COATINGS UNLESS OTHERWISE SPECIFIED.
  - 2 PART TO BE PACKED PROPERLY TO AVOID ANY DAMAGE WHILE SHIPPING & HANDLING.
  - 3 ALL HORIZONTAL DIMENSIONS ARE SYMMETRICAL ABOUT CENTER LINE UNLESS OTHERWISE SPECIFIED.



THIRD ANGLE PROJECTION

MATERIAL  
SS 304

REQUIREMENTS-UNLESS OTHERWISE SPECIFIED	GENERAL	CONTRACT NUMBER	-
1. DIMS ARE IN INCHES (MM)	-	CLIENT	-
2. DIMENSIONING AND TOLERANCING IN ACCORDANCE WITH ASME Y14.5 (1994)	-	CONTRACTOR	-
3. MINIMAL FINISH 125 MICRO INCH RMS	-	DATE	28/10/2013
5. BREAK SHARP CORNERS .005 TO .015	LIMITS	SERIAL	-
1. LINEAR DIMS	-	PRODUCT	ASHISH
2. ANGLES	-	MANUFACTURING	-
3. RADIUS	-	MATERIALS	-
4. HOLES IN ACCORDANCE WITH AND 10387	-	ELECTRICAL	-

NEX FLOW AIR PRODUCTS CORP.  
10520 YONCE STREET, UNIT 358-220, RICHMOND HILL, ON L4C 3C7  
TEL: (416) 410-1315 & FAX: (416) 410-1806 WWW.NEX-FLOW.COM

3" X-STREAM AIR BLADE AIR KNIFE

SCALE	1:1	CAD NO	YAKS-03	SHEET	1	OF	1
SIZE	-	CAGE CODE	-	REV	-	REL	-
DWG NO	10003XS	REV	-	REV	-	REL	-