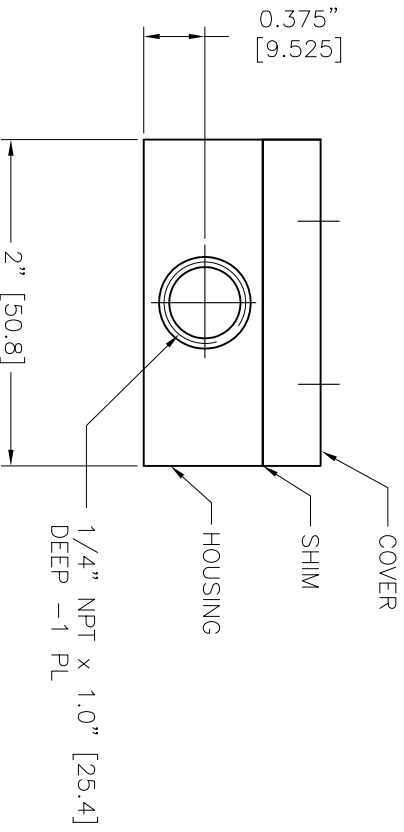
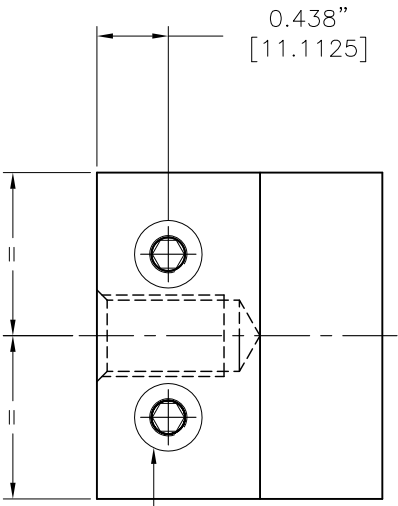
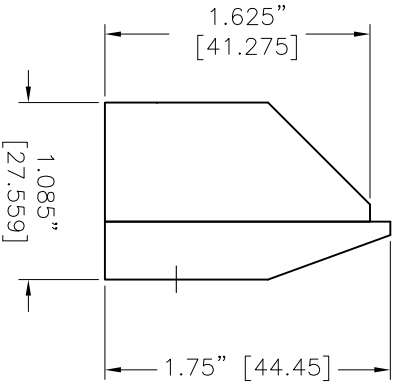


- NOTES:
- 1 ALL DIMENSIONS SHOWN ARE FINISH OPERATIONAL DIMENSIONS WHICH INCLUDE RESIDUAL COATINGS UNLESS OTHERWISE SPECIFIED.
 - 2 PART TO BE PACKED PROPERLY TO AVOID ANY DAMAGE WHILE SHIPPING & HANDLING.
 - 3 ALL HORIZONTAL DIMENSIONS ARE SYMMETRICAL ABOUT CENTER LINE UNLESS OTHERWISE SPECIFIED.



ALUMINIUM

THIRD ANGLE PROJECTION	---	REQUIREMENTS-LIMITS OTHERWISE SPECIFIED	GENERAL	CONTRACT NUMBER	---	CLIENT	---	DATE	27/11/2013	NEX FLOW AIR PRODUCTS CORP. 10520 YONCE STREET, UNIT 358-220, RICHMOND HILL, ON L4C 3C7 TEL: (416) 410-1313 & FAX: (416) 410-1806 WWW.NEX-FLOW.COM			
MATERIAL	---	1. DIMS ARE IN INCHES (MM)	2. DIMENSIONING AND TOLERANCING IN ACCORDANCE WITH ASH TR4.3 (1982)	CONTRACTOR	---	STEP/HILL	---	STRESS	---				
FINISH	---	3. INTERNAL DIMS 1/32 MICRO INCH RMS	4. BREAK SHARP CORNERS .005 TO .015 LIMITS	DATE	27/11/2013	ASHISH	---	MANUFACTURING	---				
---	---	5. ANGLES = 2:1	6. ROUNDT 010 TH	PROJECT	---	CA	---	MATERIALS	---				
---	---	7. Holes in accordance with AND 10267	---	REVISION	---	CONTROL	---	SCALE	1:1	TITLE 2" X-STREAM AIR BLADE AIR KNIFE			
---	---	---	---	---	---	---	---	CAD NO	YAK-02		SIZE CODE CODE DWG NO 10002X RELIEF REV --- ---		
PART NO	---	---	---	---	---	---	---	---	---	SHEET	1	OF	1