

SAFETY AIR BLOW OFF GUNS

Nex Flow™ Blow off Guns utilized the efficient and superior Nozzles and Jets to reduce compressed air consumption and noise levels with safety in mind.

WHAT ARE THEY - REASONS TO USE

Many low cost air guns are sold extensively throughout the world but do not necessarily last. In addition they are not all safe to use and may result in dangerous high dead end pressures.

Nex Flow™ Safety Air Guns are durable, safe and comfortable to use incorporating our efficient air nozzles and air jets to produce high output air and “laminar” flow while minimizing compressed air use and noise levels.

The most important reason to use Nex Flow™ Safety Guns is safety. All Nex Flow™ air nozzles and air jets meet OSHA standard CFR 1910.242(b) for dead end pressure. Noise levels are dramatically lower with air nozzles and air jets in addition to lower energy use.

There are four types of Safety Air Guns to choose from depending on an individual's personal taste and comfort. A Standard and a Light version (two different types) of the Easy Grip Safety Air Gun, that operate with a trigger, the Hand comfort gun, which operates with a button action, and the X-Stream Heavy Duty Safety Air Gun for those applications where strong force is needed.

See air nozzles and air jets for their technical details.

All air amplifying nozzles used with Nex Flow™ Safety Air Guns produce up to 25 times the compressed air consumed. Noise reduction up to 10 dBA is typical as well as reduced air consumption when compared to open jets and tubes. All Nex Flow Safety Air Guns with Nex Flow Nozzles meet OSHA standard CFR 1910.242(b) for dead end pressure.

SELECTION

The standard Easy Grip Air Gun is made of aluminum and is the most flexible for use. A full range of air nozzles and air jets may be fitted to these air guns with the option of adding extensions of various lengths, and even swivels to add at the tip of the gun or extension to direct the air nozzle into hard to get areas. Virtually any of the ¼” male or female air nozzles may be attached to the system as well as the Air Edger Flat Jet and small air knives and air jets.

The Easy Grip Light Air Gun is made of string plastic and utilizes the Nex Flow 6 mm Model 47002AMS Air Mag Nozzle. Lightweight and comfortable to use, the small nozzle allows for small targeted blow off applications. Contoured body fits comfortably in the operators hand and made to protect the palm of the hand against the connection fittings • Curved tip 5” long • ¼” (F) – 18 NPT Air Inlet

Nex Flow™ “Heavy Duty” Safety Air Gun with ½” air nozzle connected to the ½” air gun outlet, in either cast zinc or stainless steel is extremely powerful but safe, for those applications where traditional air guns are just not enough in rugged industrial environments. Ergonomic design for comfortable handling this product comes complete with the powerful patented Nex Flow Model 47006AMF cast zinc ½” air nozzle or the Model 47006AMFS air nozzle.

Most heavy duty guns are only up to 3/8” outlets and cannot compare to the power of the Nex Flow X-Stream Heavy Duty Safety Air Gun. Powerful flows and force are produced with this comfortable ergonomic design, and durable cast zinc body with composite rubber grip and tailored handle to provide optimal grip. The force provided is 5 to 7 times more than traditional air guns. Aluminum extensions are available to be added to these units to reach into hard to get areas.

The Hand Comfort Button Gun is designed for blow off applications in a nice compact package where a push button is preferred to a trigger operation. The Hand Comfort Button Gun is aluminum but may be fitted with aluminum or stainless steel air nozzles. Three nozzles are the options available:

- The Model 47003 aluminum air nozzle
- The Model 47003S stainless steel air nozzle
- The Model 47003S-316L stainless steel air nozzle

If a very small nozzle is required the Model 47002AMS – 6 mm stainless steel Air Mag™ Nozzle may also be fitted to the unit.



EASY GRIP SAFETY AIR GUN



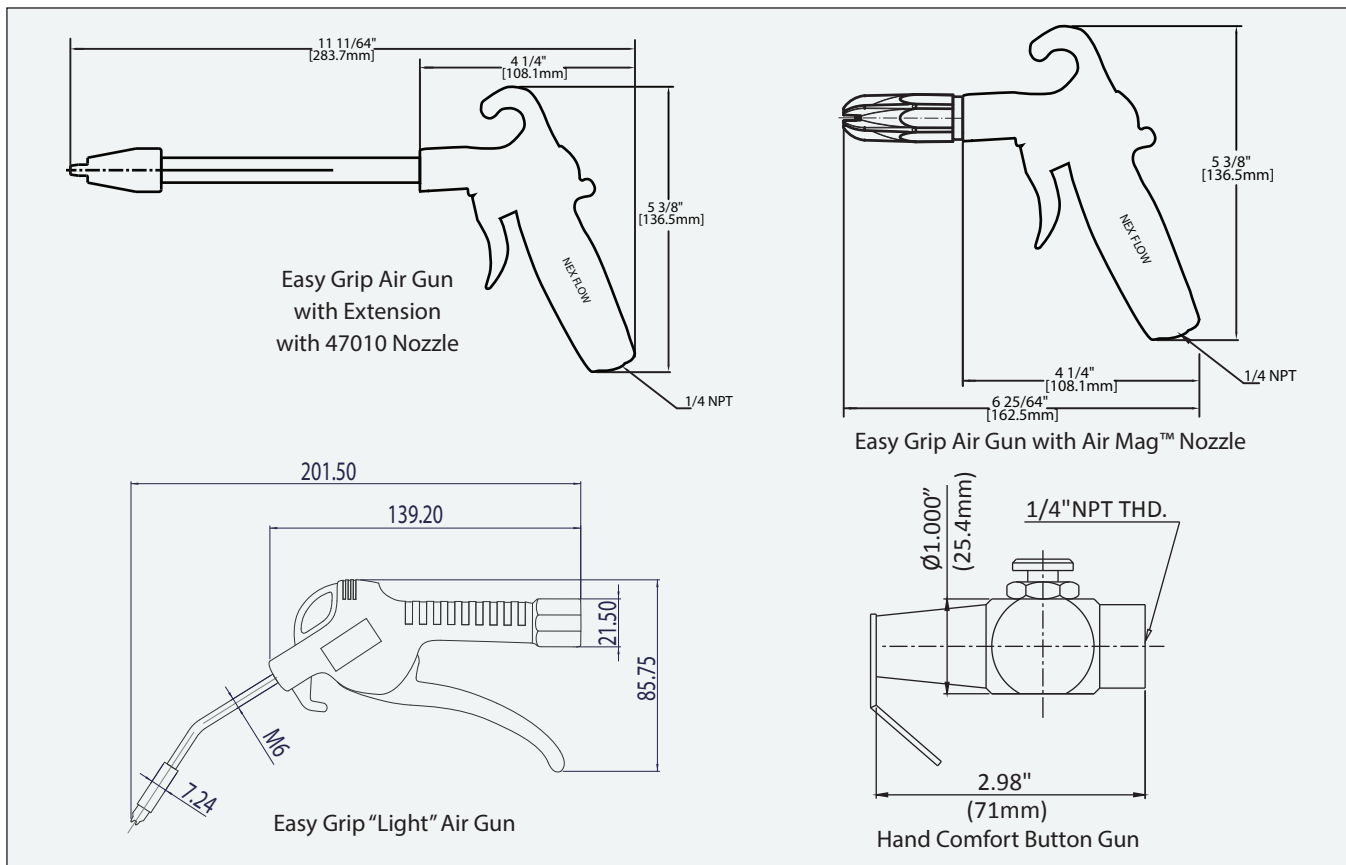
X-STREAM HEAVY DUTY SAFETY AIR GUN



HAND COMFORT BUTTON GUN

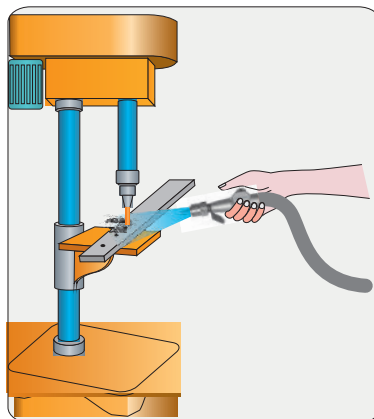


DIMENSIONS



EXTENSION TUBE AND RIGID FLEX HOSE

You can add an anodized aluminum Extension Tube or a Rigid Flex Hose to the Easy Grip Gun for extended reach. Tubes are available in 6", 12", 18", 24", and 36" lengths. The Rigid Flex Hose is available in 6" and 12" lengths.



Hand Comfort button Gun is Used for blowing off metal chips during a drilling operation.



EASY GRIP SAFETY AIR GUN

PART NO.	DESCRIPTION
49004	Air Gun with 47004 nozzle
49004S	Air Gun with 47004S nozzle
49004S-316L	Air Gun with 47004S-316L nozzle
49004AMF	Air Gun with 47004AMF Air mag nozzle
49004AMFS	Air Gun with 47004AMFS SS Air mag nozzle
49009	Air Gun with 47009 Adjustable Nozzle
49009S	Air Gun with 47009S Adjustable Nozzle
49009S-316L	Air Gun with 47009S-316L Adjustable Nozzle
49010	Air Gun with 47010 X-stream Nozzle
49002X	Air Gun with 10002X X-stream 2" Air blade aluminum
49011-12	Air Gun with Air Edger Flat Jet with .012" gap

EXTENSION FOR EASY GRIP

PART NO.	DESCRIPTION
49906	6" Extension
49912	12" Extension
49918	18" Extension
49924	24" Extension
49936	36" Extension

EASY GRIP "LIGHT " SAFETY AIR GUN

PART NO.	DESCRIPTION
49200S	Light Air Gun with M4 SS nozzle
49201S	Light Air Gun with M5 SS Nozzle
49202S	Light Air Gun with M6 SS Nozzle
49202P	Light Air Gun with M6 Peek Nozzle

X-STREAM HEAVY DUTY SAFETY AIR GUN

PART NO.	DESCRIPTION
49306AMF	1/2" Outlet Air Gun with 1/2" Air Mag Cast Zinc Nozzle
49306AMFS	1/2" Outlet Air Gun Only 1/2" Air Mag Stainless Steel Nozzle

HAND COMFORT BUTTON GUN

PART NO.	DESCRIPTION
49103	Air Gun with 47003 nozzle
49103S	Air Gun with 47003S nozzle
49103S-316L	Air Gun with 47003S-316L nozzle
49109	Air Gun with 47009 Adjustable Nozzle
49109S	Air Gun with 47009S Adjustable Nozzle
49109S-316L	Air Gun with 47009S-316L Adjustable Nozzle
49110	Air Gun with 47010 X-stream Nozzle

