

**SILENT X-STREAM™ AIR BLADE™ AIR KNIFE**

Blowoff, clean, cool and dry with this quiet, sharp and strong focused curtain of air



**WHAT ARE THEY - REASONS TO USE**

The Silent X-Stream™ Air Blade™ Air Knife is easy to mount and maintain, reducing both compressed air consumption and noise levels. It is the most efficient design yet achieved in Air Knife blow off technology in reducing noise levels and air consumption yet providing the optimum in blow off energy.

The Silent X-Stream™ Air Blade™ Air Knife produces a "laminar" flow of air along its length using the "Coanda" effect which "entrains" a large volume of air from the surrounding area along with a small amount of compressed air from the X-Stream™ Air Blade™ Air Knife to produce an output flow up to 40 times.

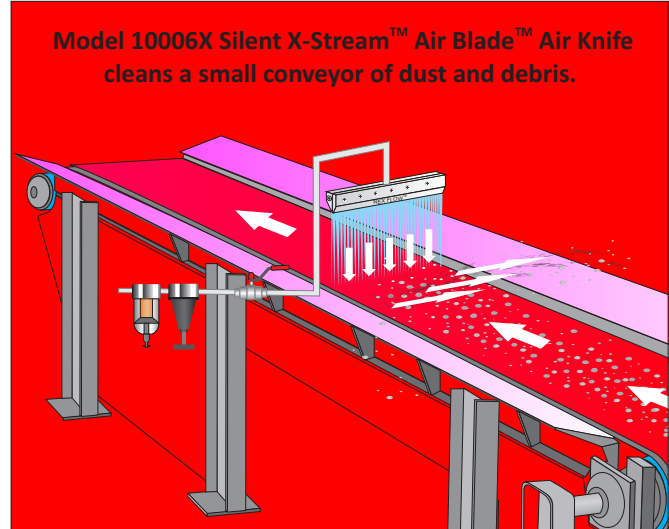
System payback on compressed air savings can be as soon as a few weeks in some applications.

The Silent X-Stream™ Air Blade™ Air Knife comes in three versions: Gold Anodized Aluminum for most applications, Hard Anodized aluminum for abrasive environments or where material may come in contact and tend to wear against the air knife, and stainless steel for high temperature and corrosive environments.

**NOTE:** Plastic shims can wear out quickly in Air Knives if the air is not clean. Nex Flow™ uses ONLY stainless steel shims.



Available in Hard Anodized aluminum for abrasive environments or where material may come in contact with the air knife.



**SILENT X-STREAM™ AIR BLADE™ AIR KNIFE FEATURES:**

- ▶ No moving parts - Gold Anodized aluminum, Hard Anodized aluminum or stainless steel.
- ▶ Compact design, simple, lightweight and portable.
- ▶ Full flow - Air across entire length of Air Knife.
- ▶ Air inlets at ends and back.
- ▶ Driven by air not electricity.
- ▶ Replaces drilled pipe and open jets or nozzles used for blowoff, cleaning, drying and cooling.
- ▶ High airflow amplification.
- ▶ Instant on-off, no electricity or explosion hazard.

**SILENT X-STREAM™ AIR BLADE™ AIR KNIFE BENEFITS:**

- ▶ Longer life in difficult environments than competitive models.
- ▶ Lower compressed air consumption than drilled pipe or rows of open jets and nozzles.
- ▶ Can be placed end to end for continuous airflow.
- ▶ Maintenance free with output easily controlled, safe to use.

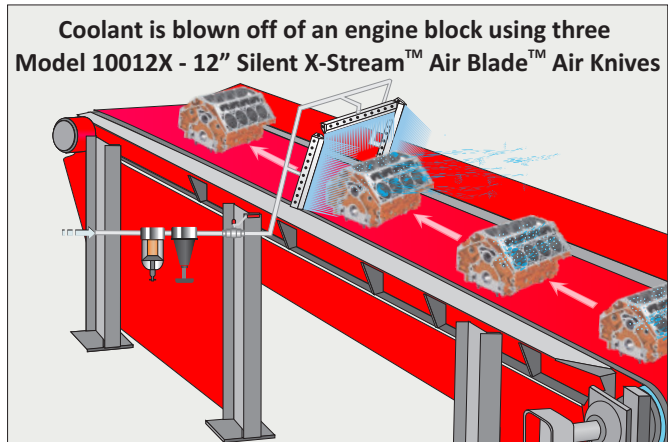
**SILENT X-STREAM™ AIR BLADE™ AIR KNIFE ADVANTAGES OVER BLOWERS:**

- ▶ Compact design, simple, lightweight and portable.
- ▶ Driven by air, not electricity for safety.
- ▶ No moving parts - Hence safer and maintenance free.
- ▶ Lower noise levels at 69 dBA and less with smaller space.



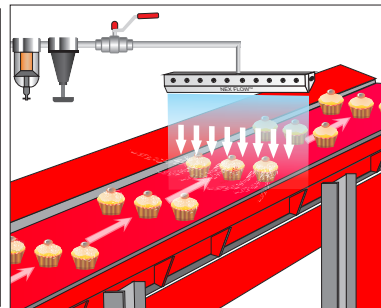
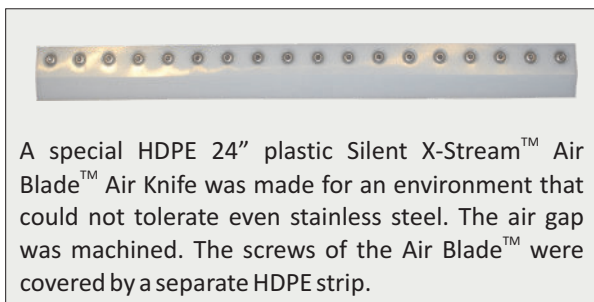
**SILENT X-STREAM™ AIR BLADE™ AIR KNIFE APPLICATIONS:**

- ▶ Cleaning of steel sheet in strip mills
- ▶ Parts drying
- ▶ Cleaning or drying web processes.
- ▶ Pre-paint drying and blowoff
- ▶ Scrap removal
- ▶ Parts cooling
- ▶ Circuit board cooling
- ▶ Use for environment separation with air curtain effect
- ▶ Opening bags for filling
- ▶ Sheet separation



**SILENT X-STREAM™ AIR BLADE™ AIR KNIFE VERSES OTHER BLOWOFF PRODUCTS:**

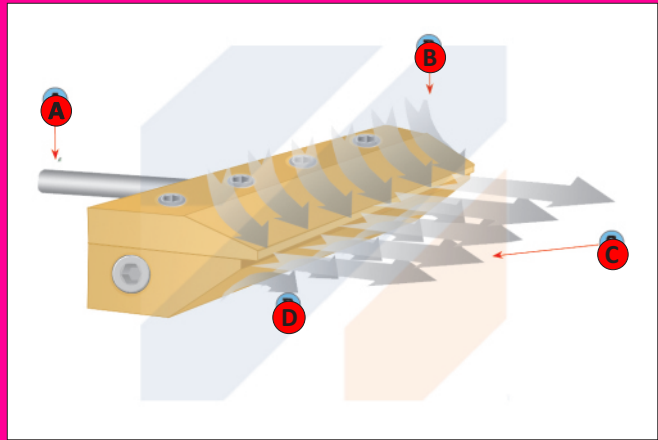
1. **Drilled Pipe** - Typically drilled pipe uses more compressed air while producing inconsistent flow at high noise levels. The Silent X-Stream™ Air Blade™ Air Knife can usually cut air costs as much as 50%.
2. **Flat Air Nozzles** - These products can use even more compressed air than drilled holes with the same problems of inconsistent flow at high noise levels.
3. **Air Blowers** are capital intensive but can use less energy than compressed air operated air knives on a continual basis. However blowers cannot be cycled on and off quickly and can actually use the same or more energy in intermittent applications. Choosing a blower or Silent X-Stream™ Air Blade™ Air Knife depends on the following factors:
  - (A) **Availability of a particular energy source** - is electricity or air the most convenient.
  - (B) **Space and Weight** - These are important factors that affect the overall cost and maintenance of a system. The compressed air operated Air knife is light weight and compact.
  - (C) **Noise level** - The Silent X-Stream™ Air Blade™ Air Knife is intrinsically quiet while blower systems are noisy and require costly silencing.
  - (D) **Application particulars** - The specific application often determines what is best to use. Intermittent blowoff and/or tight spaces favor the use of the Silent X-Stream™ Air Blade™ Air Knife.
  - (E) **Reliability** - Blower systems require maintenance because they have moving parts. The Silent X-Stream™ Air Blade™ Air Knife requires no maintenance when properly filtered and is intrinsically the most reliable.
  - (F) **Energy Cost** - Energy cost can be less with a blower system especially on continuous blowoff applications. However, energy cost can often be offset against higher capital costs and maintenance costs when utilizing blower systems. The Silent X-stream™ Air Blade™ Air Knife is low cost with negligible maintenance.
  - (G) **System Cost** - Much higher for blower systems especially if silencing is required. It is low for Silent X-Stream™ Air Blade™ Air Knives.
  - (H) **Maintenance and Operating Cost** - The need for maintenance of blower systems can be a strong negative in some situations, especially if the blowers or electrical systems are in harsh environments. The Silent X-Stream™ Air Blade™ Air Knife however is resilient to harsh environments in comparison



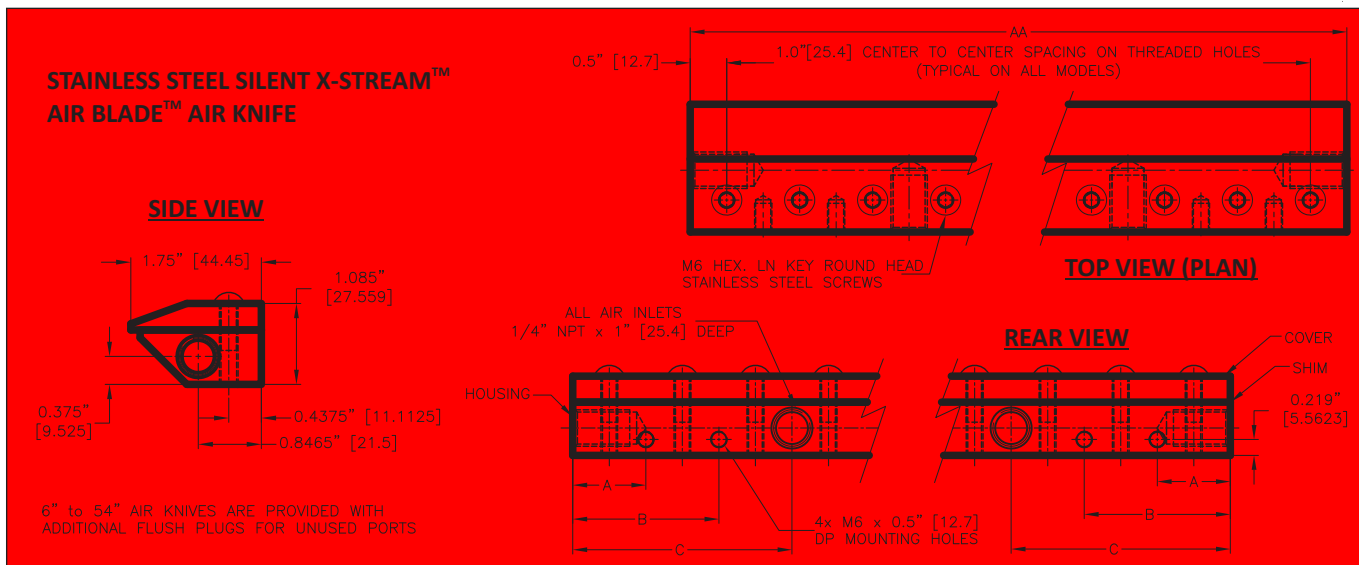
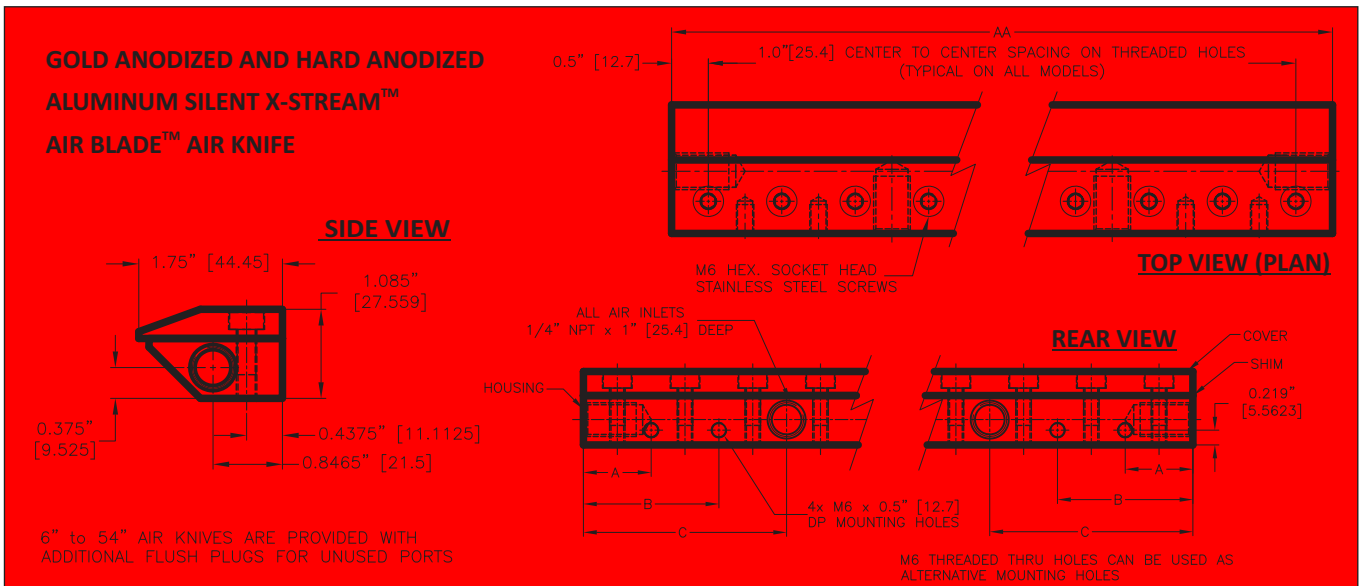
**AIR BLADE™ AIR KNIFE**

**SILENT X-STREAM™ AIR BLADE™ AIR KNIFE - HOW IT WORKS:**

**Silent X-Stream™ Air Blade™ Air Knife** - Compressed air enters the Air Knife at the rear (or end) ports at (A). Air is entrained at point (B) and (D) by the compressed air stream that leaves the Air Knife from a small gap at point (C). The entrained air follows the profile that directs the airflow in a perfect straight line to create a uniform sheet of air along the entire length of the Air Blade™ Air Knife. The amplified air stream maximizes velocity and force is maintained as a well defined sheet of laminar flow with minimal wind shear for reduced energy use in blowoff and cooling.



**X-Stream™ Air Blade™ Air Knife** is available in Thirteen (13) standard lengths in Regular Anodized Aluminum, Hard Anodized Aluminum and in Stainless Steel: 2" (51mm), 3" (76mm), 6" (150 mm), 9" (229 mm), 12" (305 mm), 15" (382 mm), 18" (457mm), 24" (610 mm), 30"(761mm), 36"(914mm), 42"(1067mm), 48"(1219 mm) and 54" (1372 mm).



(\* BSP Threads or Adaptors can be supplied depending on country location)



**DIMENSION TABLE OF SILENT X-STREAM™ AIR BLADE™ AIR KNIFE – GOLD ANODIZED ALUMINUM**

PART NO. (Gold Anodized Aluminum)	AA Inches (mm)	A Inches (mm)	B Inches (mm)	C Inches (mm)	No. of Rear Inlets (Side Inlets)
Model 10002X Gold Anodized Aluminum	2"(50.8)	N/A	N/A	1"(25.4)	1(0)
Model 10003X Gold Anodized Aluminum	3"(76.2)	.641"(16.3)	N/A	1.5"(38.1)	1(0)
Model 10006X Gold Anodiz	6"(152)	1"(25.4)	2"(50.8)	3"(76.2)	1(2)
Model 10009X Gold Anodized Aluminum	9"(228.6)	1"(25.4)	2"(50.8)	3"(76.2)	2(2)
Model 10012X Gold Anodized Aluminum	12"(304.8)	1"(25.4)	2"(50.8)	3"(76.2)	2(2)
Model 10015X Gold Anodized Aluminum	15"(381)	1"(25.4)	2"(50.8)	4"(101.6)	2(2)
Model 10018X Gold Anodized Aluminum	18"(457.2)	1"(25.4)	2"(50.8)	5"(127.0)	2(2)
Model 10024X Gold Anodized Aluminum	24"(609.6)	1"(25.4)	2"(50.8)	6"(152.4)	2(2)
Model 10030X Gold Anodized Aluminum	30"(762)	1"(25.4)	2"(50.8)	6"(152.4)	2(2)
Model 10036X Gold Anodized Aluminum	36"(914.4)	1"(25.4)	2"(50.8)	6"(152.4)	2(2)
Model 10042X Gold Anodized Aluminum	42"(1066.8)	1"(25.4)	2"(50.8)	6"(152.4)	2(2)
Model 10048X Gold Anodized Aluminum	48"(1219.2)	1"(25.4)	2"(50.8)	9"(228.6)	3(2)
Model 10054X Gold Anodized Aluminum	54"(1371.6)	1"(25.4)	2"(50.8)	9"(228.6)	3(2)

**NOTE:** For sizes 48" and longer there is a third rear inlet port in the middle, 1/4" NPT on same level as the other two rear inlet ports.

**USE OF SHIMS:**

Nex Flow™ uses **ONLY** stainless steel shims in their Air Knife products as plastic shims wear out over time and require replacement, even with relatively clean air systems. Stainless steel shims are .002" (.050 mm). In most applications this is adequate. However, velocity and force can be increased approximately 30% by adding a second .002" (.050 mm) shim. Shims may be stacked up to 5 sets. If using three or more sets however, the air inlets at the "ends" should be used to maintain even flow along the Air Knife system. Otherwise a slight drop in pressure and flow will occur across from the rear inlet ports if they are used with three or more shims. Note that noise levels and air use will go up with an increased number of shims.

**MOUNTING:**

Mounting holes are provided for easy mounting of the Silent X-Stream™ Air Blade™. In addition, the holes at the bottom of the unit may also be used for mounting.

**SPECIAL AIR KNIVES:**

Do you need a special length? Do you need a different shape or profile or material? Nex Flow™ can supply special units and address any unique situation. We have produced special lengths and made Air Knives in HDPE and other materials as requested.

**ACCESSORIES:**

It is important to keep the air supply clean and dry. We recommend a water removal filter with a float type automatic drain with a minimum filtration of 5 micron. If there is a chance of oil in the lines, we suggest an oil removal filter as well with a minimum filtration of 0.3 micron, also with an automatic drain. To minimize air use, we recommend a regulator with gauge to set the minimum pressure necessary to operate the system. If the system can be turned on and off as necessary, we recommend a system such as our PLCFC System as described in Section A.

**E-mail:-** ▪ sales@nexflow.com ▪ sales@nexflowair.com ▪ sales@nex-flow.com

**Web:-** ▪ www.nexflow.com ▪ www.nexflowair.com ▪ www.nex-flow.com

## HARD ANODIZED SILENT X-STREAM™ AIR BLADE™ AIR KNIFE

Blowoff, clean, cool and dry with this quietly in sticky, abrasive environments.



### WHAT ARE THEY - REASONS TO USE

The Hard Anodized version of the Silent X-Stream™ Air Blade™ Air Knife is just as easy to mount and maintain, reducing both compressed air consumption and noise levels. It has the extra benefit of a protective coating that is more resistant to sticky material such as floating oils and has excellent resistance to abrasive action such as materials that could rub onto, or brush against the air knife in production. As with the regular anodized versions, it is still the most efficient design yet achieved in Air Knife blow off technology in reducing noise levels and air consumption yet providing the optimum in blow off energy.

The Hard Anodized Silent X-Stream™ Air Blade™ Air Knife™ produces a “laminar” flow of air along its length using the “Coanda” effect which “entrains” a large volume of air from the surrounding area along with a small amount of compressed air from the X-Stream™ Air Blade™ Air Knife to produce an output flow of up to 40 times.

System payback on compressed air savings can be as soon as a few weeks in some applications.

**NOTE:** Plastic shims can wear out quickly in Air Knives if the air is not clean. Nex Flow™ uses ONLY stainless steel shims.

### HARD ANODIZED SILENT X-STREAM™ AIR BLADE™ AIR KNIFE FEATURES:

- ▶ No moving parts - Gold Anodized aluminum, Hard Anodized aluminum or stainless steel.
- ▶ Compact design, simple, lightweight and portable.
- ▶ Full flow - Air across entire length of Air Knife.
- ▶ Air inlets at ends and back.
- ▶ Driven by air not electricity.
- ▶ Replaces drilled pipe and open jets or nozzles used for blowoff, cleaning, drying and cooling.
- ▶ High airflow amplification.
- ▶ Instant on-off, no electricity or explosion hazard.

### HARD ANODIZED SILENT X-STREAM™ AIR BLADE™ AIR KNIFE BENEFITS:

- ▶ Longer life in difficult environments than competitive models.
- ▶ Lower compressed air consumption than drilled pipe or rows of open jets and nozzles.
- ▶ Can be placed end to end for continuous airflow.
- ▶ Maintenance free with output easily controlled, safe to use.

### HARD ANODIZED SILENT X-STREAM™ AIR BLADE™ AIR KNIFE ADVANTAGES OVER BLOWERS:

- ▶ Compact design, simple, lightweight and portable.
- ▶ Driven by air, not electricity for safety.
- ▶ No moving parts - Hence safer and maintenance free.
- ▶ Lower noise levels at 69 dBA and less with smaller space.



Just as we can provide special air knives made of different materials such as the HDPE plastic Silent X-Stream™ Air Blade™ shown, Nex Flow™ can provide special coatings to address specific applications and environments.





## DIMENSION TABLE OF SILENT X-STREAM™ AIR BLADE™ AIR KNIFE – HARD ANODIZED ALUMINUM

PART NO. (Hard Anodized Aluminum)	AA Inches (mm)	A Inches (mm)	B Inches (mm)	C Inches (mm)	No. of Rear Inlets (Side Inlets)
Model 10002XHA Hard Anodized Aluminum	2"(50.8)	N/A	N/A	1"(25.4)	1(0)
Model 10003XHA Hard Anodized Aluminum	3"(76.2)	.641"(16.3)	N/A	1.5"(38.1)	1(0)
Model 10006XHA Hard Anodized Aluminum	6"(152)	1"(25.4)	2"(50.8)	3"(76.2)	1(2)
Model 10009XHA Hard Anodized Aluminum	9"(228.6)	1"(25.4)	2"(50.8)	3"(76.2)	2(2)
Model 10012XHA Hard Anodized Aluminum	12"(304.8)	1"(25.4)	2"(50.8)	3"(76.2)	2(2)
Model 10015XHA Hard Anodized Aluminum	15"(381)	1"(25.4)	2"(50.8)	4"(101.6)	2(2)
Model 10018XHA Hard Anodized Aluminum	18"(457.2)	1"(25.4)	2"(50.8)	5"(127.0)	2(2)
Model 10024XHA Hard Anodized Aluminum	24"(609.6)	1"(25.4)	2"(50.8)	6"(152.4)	2(2)
Model 10030XHA Hard Anodized Aluminum	30"(762)	1"(25.4)	2"(50.8)	6"(152.4)	2(2)
Model 10036XHA Hard Anodized Aluminum	36"(914.4)	1"(25.4)	2"(50.8)	6"(152.4)	2(2)
Model 10042XHA Hard Anodized Aluminum	42"(1066.8)	1"(25.4)	2"(50.8)	6"(152.4)	2(2)
Model 10048XHA Hard Anodized Aluminum	48"(1219.2)	1"(25.4)	2"(50.8)	9"(228.6)	3(2)
Model 10054XHA Hard Anodized Aluminum	54"(1371.6)	1"(25.4)	2"(50.8)	9"(228.6)	3(2)

**NOTE:** For sizes 48" and longer there is a third rear inlet port in the middle, 1/4" NPT on same level as the other two rear inlet ports.

**USE OF SHIMS:** Nex Flow™ uses **ONLY** stainless steel shims in their Air Knife products as plastic shims wear out over time and require replacement, even with relatively clean air systems. Stainless steel shims are .002" (.050 mm). In most applications this is adequate. However, velocity and force can be increased approximately 30% by adding a second .002" (.050 mm) shim. Shims may be stacked up to 5 sets. If using three or more sets however, the air inlets at the "ends" should be used to maintain even flow along the Air Knife system. Otherwise a slight drop in pressure and flow will occur across from the rear inlet ports if they are used with three or more shims. Note that noise levels and air use will go up with an increased number of shims.

**MOUNTING:** Mounting holes are provided for easy mounting of the Silent X-Stream™ Air Blade™. In addition, the holes at the bottom of the unit may also be used for mounting.

**SPECIAL AIR KNIVES:** Do you need a special length? Do you need a different shape or profile or material? Nex Flow™ can supply special units and address any unique situation. We have produced special lengths and made Air Knives in HDPE and other materials as requested.

**ACCESSORIES:** It is important to keep the air supply clean and dry. We recommend a water removal filter with a float type automatic drain with a minimum filtration of 5 micron. If there is a chance of oil in the lines, we suggest an oil removal filter as well with a minimum filtration of 0.3 micron, also with an automatic drain. To minimize air use, we recommend a regulator with gauge to set the minimum pressure necessary to operate the system. If the system can be turned on and off as necessary, we recommend a system such as our PLCFC System as described in Section A.



Mounting and holding systems are available for the X-stream Air Blade Air Knife. Fully flexible positioning. See Accessories.

**DIMENSION TABLE OF SILENT X-STREAM™ AIR BLADE™ AIR KNIFE – STAINLESS STEEL**

PART NO. (Stainless Steel)	AA Inches (mm)	A Inches (mm)	B Inches (mm)	C Inches (mm)	No. of Rear Inlets (Side Inlets)
Model 10002XS Stainless	2"(50.8)	N/A	N/A	1"(25.4)	1(0)
Model 10003XS Stainless	3"(76.2)	.641"(16.3)	N/A	1.5"(38.1)	1(0)
Model 10006XS Stainless	6"(152)	1"(25.4)	2"(50.8)	3"(76.2)	1(2)
Model 10009XS Stainless	9"(228.6)	1"(25.4)	2"(50.8)	3"(76.2)	2(2)
Model 10012XS Stainless	12"(304.8)	1"(25.4)	2"(50.8)	3"(76.2)	2(2)
Model 10015XS Stainless	15"(381)	1"(25.4)	2"(50.8)	4"(101.6)	2(2)
Model 10018XS Stainless	18"(457.2)	1"(25.4)	2"(50.8)	5"(127.0)	2(2)
Model 10024XS Stainless	24"(609.6)	1"(25.4)	2"(50.8)	6"(152.4)	2(2)
Model 10030XS Stainless	30"(762)	1"(25.4)	2"(50.8)	6"(152.4)	2(2)
Model 10036XS Stainless	36"(914.4)	1"(25.4)	2"(50.8)	6"(152.4)	2(2)
Model 10042XS Stainless	42"(1066.8)	1"(25.4)	2"(50.8)	6"(152.4)	2(2)
Model 10048XS Stainless	48"(1219.2)	1"(25.4)	2"(50.8)	9"(228.6)	3(2)
Model 10054XS Stainless	54"(1371.6)	1"(25.4)	2"(50.8)	9"(228.6)	3(2)

**USE OF SHIMS:**

Nex Flow™ uses **ONLY** stainless steel shims in their Air Knife products as plastic shims wear out over time and require replacement, even with relatively clean air systems. Stainless steel shims are .002" (.050 mm). In most applications this is adequate. However, velocity and force can be increased approximately 30% by adding a second .002" (.050 mm) shim. Shims may be stacked up to 5 sets. If using three or more sets however, the air inlets at the "ends" should be used to maintain even flow along the Air Knife system. Otherwise a slight drop in pressure and flow will occur across from the rear inlet ports if they are used with three or more shims. Note that noise levels and air use will go up with an increased number of shims.

**MOUNTING:**

Mounting holes are provided for easy mounting of the Silent X-Stream™ Air Blade™. In addition, the holes at the bottom of the unit may also be used for mounting.

**SPECIAL AIR KNIVES:**

Do you need a special length? Do you need a different shape or profile or material? Nex Flow™ can supply special units and address any unique situation. We have produced special lengths and made Air Knives in HDPE and other materials as requested.

**ACCESSORIES:**

It is important to keep the air supply clean and dry. We recommend a water removal filter with a float type automatic drain with a minimum filtration of 5 micron. If there is a chance of oil in the lines, we suggest an oil removal filter as well with a minimum filtration of 0.3 micron, also with an automatic drain. To minimize air use, we recommend a regulator with gauge to set the minimum pressure necessary to operate the system. If the system can be turned on and off as necessary, we recommend a system such as our PLCFC System as described in Section A.

## NEX FLOW™ SILENT X-STREAM™ AIR BLADE™ AIR KNIFE VERSUS OTHER AIR KNIVES WITH STRAIGHT OUT BLOW OFF PROFILES

There are a few companies that produce compressed air operated air knives where the compressed air comes out straight as it does with the NEX FLOW™ SILENT X-STREAM™ AIR BLADE™ air knife. However, the internals can be quite different and it can make a big difference in performance.

Often air knife literature focus solely on compressed air consumption when in fact, it is not only the compressed air consumption which is important, but also the force produced. For the designs used by known air knife producers (where the compressed air comes out straight and entrains surrounding air similar in principle to the NEX FLOW™ SILENT X-STREAM™ AIR BLADE™ design) the efficiency of blow off performance or FORCE/SCFM is essentially the same. What is important is the actual force needed for any particular application. However the NEX FLOW™ design will provide the same force and same air consumption as most of these other designs but at a lower pressure.

Since it takes less energy to produce compressed air at a lower pressure than at a higher pressure the NEX FLOW™ SILENT X-STREAM™ AIR BLADE™ design is actually the "MOST EFFICIENT" when these factors are taken into account. The difference is based on the internal design. The NEX FLOW™ SILENT X-STREAM™ AIR BLADE™ design internally is the secret, minimizing the use of small air channels or anything that can cause restrictions and energy losses.

EXAMPLE: Here are actual measurements for the Nex Flow™ Model 10012X – X-Stream™ Air Blade™ Air knife and a Competitors equivalent.

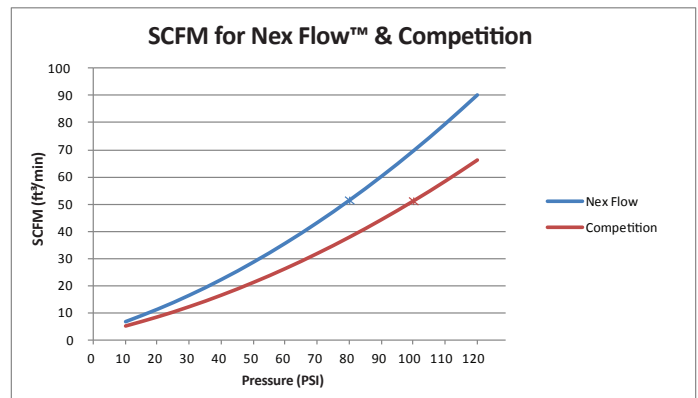
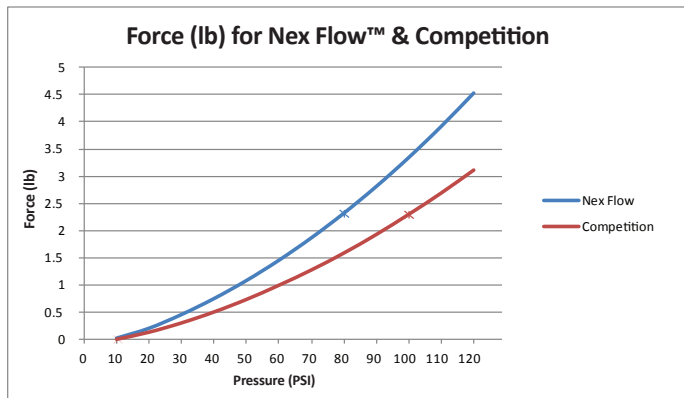
**NEXFLOW**

Inlet Pressure(PSIG)	10	20	30	40	50	60	70	80	90	100	110	120
Force (lb)	0.018	0.201	0.454	0.747	1.08	1.453	1.866	2.319	2.812	3.345	3.918	4.531
Flow (SCFM)	6.95	11.53	16.7	22.47	28.85	35.82	43.4	51.57	60.34	69.72	79.69	90.27

**COMPETITOR**

Inlet Pressure(PSIG)	10	20	30	40	50	60	70	80	90	100	110	120
Force (lb)	0.01	0.14	0.31	0.51	0.74	1.00	1.28	1.59	1.93	2.3	2.69	3.11
Flow (SCFM)	5.11	8.48	12.28	16.52	21.22	26.34	31.92	37.92	44.37	51.27	58.6	66.38

If you take the Nex Flow™ figures at 80 PSIG (IN BLUE) you see that they compare well to the competitors figures at 100 PSIG (IN RED). Efficiency as to FORCE/UNIT OF AIR USE OR SCFM is virtually identical. However Nex Flow™ can produce the force required at 20 PSI "LOWER" pressure. It is well known that reducing pressure even by 10% PSIG can save as much energy as 5% on a compressor. **REPLACING EVEN A COMPETITORS' AIR KNIFE MAY SAVE 10% or more just because you can run at lower pressure for the same application!!!! A SIGNIFICANT SAVING!!!**



In any application, you would adjust the pressure as low as possible to perform the desired application. Put side by side a competitor's air knife, just by being able to use it at lower pressure, and to be able to run your systems at a lower pressure, can save significant cost.



Velocity is important in that it can determine the cooling effect and is also related to the blowoff force. Velocity will vary significantly depending on the temperature of the ambient air - The hotter the air, the greater the velocity (and the greater the amplification of the air flow). So velocity figures at best are an approximation. As air is entrained, the flow increases and as the flow increases the velocity must come down. The velocity at the exit of the Silent X-Stream™ Air Blade™ Air Knife is the highest but the figure is of no value as once the surrounding air is entrained, the velocity drops dramatically. (Be wary of extremely high velocity claims downstream of any Air Knife or Air Amplifier). The figures provided by Nex Flow™ can be verified with a velocity meter. There will be some variations in measurement due to different air pressure and atmospheric conditions. The velocity is, among other things, dependent on the chamber pressure. That pressure in turn depends upon pipe size, pressure drops in the system, distance from the compressor station to the point of use, and many other factors.

**PERFORMANCE CHARTS**
**10002X / 10002XS / 10002XHA – 2" X-Stream™ Air Blade™ Air Knife**

Inlet Pressure (PSIG)	10	20	30	40	50	60	70	80	90	100	110	120
Force (lbs)*	0.01	0.08	0.20	0.35	0.54	0.77	1.04	1.35	1.7	2.09	2.53	3
Air Consumption (SCFM)	0.7	1.6	4.4	7.9	12	17	22	28	34	41	49	57
Velocity (ft/s)*	137	172	207	240	273	304	335	365	394	422	449	475
Inlet Pressure (BAR)	0.7	1.4	2.1	2.8	3.5	4.2	4.9	5.6	6.2	6.9	7.7	8.4
Force (grams)*	4.54	36.3	90.7	159	245	349	472	612	771	948	1148	1361
Air Consumption (SLPM)	19.8	45.3	125	224	340	481	623	793	963	1161	1388	1614
Velocity (m/s)*	41.8	54.4	63.1	73.2	83.2	92.7	102	111	120	129	137	145

**10003X / 10003XS / 10003XHA – 3" X-Stream™ Air Blade™ Air Knife**

Inlet Pressure (PSIG)	10	20	30	40	50	60	70	80	90	100	110	120
Force (lbs)*	0.01	0.09	0.21	0.38	0.58	0.83	1.11	1.44	1.8	2.21	2.63	3.14
Air Consumption (SCFM)	0.9	2.6	5.7	9.3	14	19	24	31	37	44	52	60
Velocity (ft/s)*	45.7	71.2	95.9	120	142	164	185	206	225	243	261	277
Inlet Pressure (BAR)	0.7	1.4	2.1	2.8	3.5	4.2	4.9	5.6	6.2	6.9	7.7	8.4
Force (grams)*	4.54	40.8	95.3	172	263	379	503	653	816	1002	1193	1424
Air Consumption (SLPM)	25.5	73.6	161	263	396	538	680	878	1048	1246	1472	1699
Velocity (m/s)*	13.9	21.7	29.2	36.6	43.3	50	56.4	62.8	68.6	74.1	79.6	84.4

**10006X / 10006XS / 10006XHA – 6" X-Stream™ Air Blade™ Air Knife**

Inlet Pressure (PSIG)	10	20	30	40	50	60	70	80	90	100	110	120
Force (lbs)*	0.02	0.11	0.28	0.49	0.73	1.02	1.35	1.72	2.12	2.57	3.05	3.58
Air Consumption (SCFM)	2.4	5.6	9.4	14	19	24	30	37	45	53	61	70
Velocity (ft/s)*	8.9	24.7	39.7	53.7	66.9	79.1	90.4	101	110	119	127	134
Inlet Pressure (BAR)	0.7	1.4	2.1	2.8	3.5	4.2	4.9	5.6	6.2	6.9	7.7	8.4
Force (grams)*	9.07	49.9	127	222	331	463	612	780	962	1166	1383	1624
Air Consumption (SLPM)	68	159	266	396	538	680	850	1048	1274	1501	1727	1982
Velocity (m/s)*	2.7	7.5	12.1	16.4	20.4	24.1	27.6	30.8	33.5	36.3	38.7	40.8



**PERFORMANCE CHARTS**
**10009X / 10009XS / 10009XHA – 9" X-Stream™ Air Blade™ Air Knife**

Inlet Pressure (PSIG)	10	20	30	40	50	60	70	80	90	100	110	120
Force (lbs)*	0.02	0.15	0.36	0.61	0.9	1.23	1.59	2	2.45	2.94	3.47	4.04
Air Consumption (SCFM)	4.7	8.6	13	18	24	30	37	44	52	61	70	80
Velocity (ft/s)*	8.79	21.4	33.1	43.9	53.8	62.8	70.9	78.1	84.4	89.8	94.3	97.9
Inlet Pressure (BAR)	0.7	1.4	2.1	2.8	3.5	4.2	4.9	5.6	6.2	6.9	7.7	8.4
Force (grams)*	9.07	68	163	277	408	558	721	907	1111	1334	1574	1833
Air Consumption (SLPM)	133.1	244	368	510	680	850	1048	1246	1472	1727	1982	2265
Velocity (m/s)*	2.7	6.5	10.1	13.4	16.4	19.1	21.6	23.8	25.7	27.4	28.7	29.8

**10012X / 10012XS / 10012XHA – 12" X-Stream™ Air Blade™ Air Knife**

Inlet Pressure (PSIG)	10	20	30	40	50	60	70	80	90	100	110	120
Force (lbs)*	0.01	0.2	0.46	0.75	1.08	1.45	1.86	2.31	2.8	3.33	3.9	4.51
Air Consumption (SCFM)	7	11	17	22	29	36	43	51	60	70	80	90
Velocity (ft/s)*	11	22	32.1	41.3	49.6	57	63.4	69	73.7	77.5	80.3	82.4
Inlet Pressure (BAR)	0.7	1.4	2.1	2.8	3.5	4.2	4.9	5.6	6.2	6.9	7.7	8.4
Force (grams)*	4.54	90.7	209	340	490	658	844	1048	1270	1510	1769	2046
Air Consumption (SLPM)	198	311	481	623	821	1019	1218	1444	1699	1982	2265	2549
Velocity (m/s)*	3.4	6.7	9.8	12.6	15.1	17.4	19.3	21	22.5	23.6	24.5	25.1

**10015X / 10015XS / 10015XHA – 15" X-Stream™ Air Blade™ Air Knife**

Inlet Pressure (PSIG)	10	20	30	40	50	60	70	80	90	100	110	120
Force (lbs)*	0.02	0.28	0.57	0.9	1.27	1.69	2.14	2.63	3.12	3.74	4.35	5
Air Consumption (SCFM)	9.3	14	20	27	34	41	50	59	69	78	89	100
Velocity (ft/s)*	13	23.1	32.2	40.4	47.7	54.1	59.7	64.3	68	70.8	72.7	73.8
Inlet Pressure (BAR)	0.7	1.4	2.1	2.8	3.5	4.2	4.9	5.6	6.2	6.9	7.7	8.4
Force (grams)*	9.07	127	259	408	576	767	971	1193	1415	1696	1973	2268
Air Consumption (SLPM)	263	396	566	765	963	1161	1416	1671	1954	2209	2520	2832
Velocity (m/s)*	4	7	9.8	12.3	14.5	16.5	18.2	19.6	20.7	21.6	22.2	22.5

**10018X / 10018XS / 10018XHA – 18" X-Stream™ Air Blade™ Air Knife**

Inlet Pressure (PSIG)	10	20	30	40	50	60	70	80	90	100	110	120
Force (lbs)*	0.07	0.36	0.67	1.07	1.49	1.94	2.44	2.97	3.55	4.16	4.82	5.5
Air Consumption (SCFM)	11	17	24	31	39	47	56	66	76	87	98	110
Velocity (ft/s)*	14.7	24.1	32.6	40.2	46.8	52.6	57.5	61.4	64.5	66.7	68	68.3
Inlet Pressure (BAR)	0.7	1.4	2.1	2.8	3.5	4.2	4.9	5.6	6.2	6.9	7.7	8.4
Force (grams)*	31.8	163	304	485	676	880	1107	1347	1610	1887	2186	2495
Air Consumption (SLPM)	311	481	680	878	1104	1331	1586	1869	2152	2464	2775	3115
Velocity (m/s)*	4.5	7.3	9.9	12.3	14.3	16	17.5	18.7	19.7	20.3	20.7	20.8

**PERFORMANCE CHARTS**
**10024X / 10024XS / 10024XHA – 24" X-Stream™ Air Blade™ Air Knife**

Inlet Pressure (PSIG)	10	20	30	40	50	60	70	80	90	100	110	120
Force (lbs)*	0.21	0.59	1.01	1.46	1.96	2.5	3.08	3.7	4.36	5.06	5.8	6.58
Air Consumption (SCFM)	16	23	31	40	49	58	69	80	91	103	116	129
Velocity (ft/s)*	17.2	25.7	33.4	40.2	46	51	55.1	58.2	60.5	61.9	62.3	61.9
Inlet Pressure (BAR)	0.7	1.4	2.1	2.8	3.5	4.2	4.9	5.6	6.2	6.9	7.7	8.4
Force (grams)*	95.25	267.6	458	662	889	1134	1397	1678	1978	2295	2631	2985
Air Consumption (SLPM)	453	651	878	1133	1388	1642	1954	2265	2577	2917	3285	3653
Velocity (m/s)*	5.2	7.8	10.2	12.3	14	15.5	16.8	17.7	18.4	18.9	19	18.9

**10030X / 10030XS / 10030XHA – 30" X-Stream™ Air Blade™ Air Knife**

Inlet Pressure (PSIG)	10	20	30	40	50	60	70	80	90	100	110	120
Force (lbs)*	0.41	0.87	1.38	1.92	2.5	3.13	3.78	4.49	5.24	6.02	6.84	7.7
Air Consumption (SCFM)	21	29	38	48	59	70	81	94	107	120	134	149
Velocity (ft/s)*	18.8	26.9	34.1	40.4	45.7	50.2	53.8	56.5	58.3	59.1	59.1	58.2
Inlet Pressure (BAR)	0.7	1.4	2.1	2.8	3.5	4.2	4.9	5.6	6.2	6.9	7.7	8.4
Force (grams)*	186	395	626	871	1134	1420	1715	2037	2377	2731	3103	3493
Air Consumption (SLPM)	595	821	1076	1359	1671	1982	2294	2662	3030	3398	3794	4219
Velocity (m/s)*	5.7	8.2	10.4	12.3	13.9	15.3	16.4	17.2	17.8	18	18	17.7

**10036X / 10036XS / 10036XHA – 36" X-Stream™ Air Blade™ Air Knife**

Inlet Pressure (PSIG)	10	20	30	40	50	60	70	80	90	100	110	120
Force (lbs)*	0.68	1.22	1.81	2.44	3.11	3.81	4.56	5.35	6.18	7.04	7.95	8.9
Air Consumption (SCFM)	25	35	45	57	68	81	94	108	122	137	153	168
Velocity (ft/s)*	20	27.8	34.6	40.6	45.6	49.8	53	55.4	56.8	57.4	57.1	55.8
Inlet Pressure (BAR)	0.7	1.4	2.1	2.8	3.5	4.2	4.9	5.6	6.2	6.9	7.7	8.4
Force (grams)*	308	553	821	1107	1411	1728	2068	2427	2083	3193	3606	4037
Air Consumption (SLPM)	708	991	1274	1614	1926	2294	2662	3058	3455	3879	4332	4757
Velocity (m/s)*	6.1	8.5	10.5	12.4	13.9	15.2	16.2	16.9	17.3	17.5	17.4	17



**PERFORMANCE CHARTS**

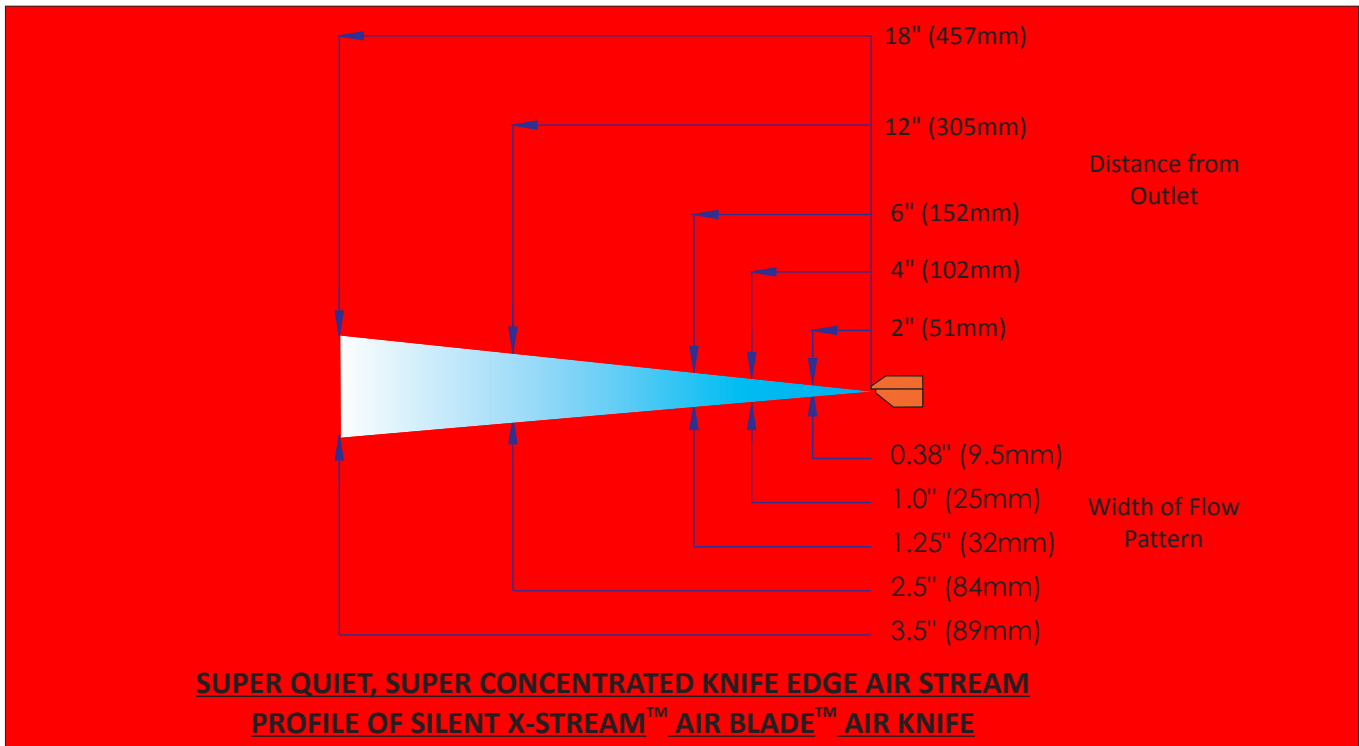
10042X / 10042XS / 10042XHA – 42" X-Stream™ Air Blade™ Air Knife												
Inlet Pressure (PSIG)	10	20	30	40	50	60	70	80	90	100	110	120
Force (lbs)*	1.01	1.65	2.32	3.03	3.78	4.67	5.4	6.27	7.18	8.13	9.12	10.15
Air Consumption (SCFM)	29	40	52	65	78	92	107	122	137	153	170	188
Velocity (ft/s)*	20.9	28.4	35	40.7	45.6	49.5	52.5	54.6	55.9	56.2	55.6	54.1
Inlet Pressure (BAR)	0.7	1.4	2.1	2.8	3.5	4.2	4.9	5.6	6.2	6.9	7.7	8.4
Force (grams)*	458	748	1052	1374	1715	2118	2449	2844	3257	3688	4137	4604
Air Consumption (SLPM)	821	1133	1472	1841	2209	2605	3030	3455	3879	4332	4814	5324
Velocity (m/s)*	6.4	8.7	10.7	12.4	13.9	15.1	16	16.6	17	17.1	16.9	16.5

10048X / 10048XS / 10048XHA – 48" X-Stream™ Air Blade™ Air Knife												
Inlet Pressure (PSIG)	10	20	30	40	50	60	70	80	90	100	110	120
Force (lbs)*	1.41	2.13	2.88	3.68	4.51	5.39	6.3	7.26	8.25	9.29	10.36	11.48
Air Consumption (SCFM)	33	46	59	73	88	103	119	135	152	170	188	207
Velocity (ft/s)*	21.6	28.9	35.4	40.9	45.6	49.3	52.2	54.1	55.2	55.3	54.6	52.9
Inlet Pressure (BAR)	0.7	1.4	2.1	2.8	3.5	4.2	4.9	5.6	6.2	6.9	7.7	8.4
Force (grams)*	640	966	1306	1669	2046	2445	2858	3293	3742	4214	4699	5207
Air Consumption (SLPM)	934	1303	1671	2067	2492	2917	3370	3823	4304	4814	5324	5862
Velocity (m/s)*	6.6	8.8	10.8	12.5	13.9	15	15.9	16.5	16.8	16.9	16.6	16.1

10054X / 10054XS / 10054XHA – 54" X-Stream™ Air Blade™ Air Knife												
Inlet Pressure (PSIG)	10	20	30	40	50	60	70	80	90	100	110	120
Force (lbs)*	1.88	2.67	3.51	4.4	5.31	6.27	7.27	8.31	9.39	10.51	11.67	12.87
Air Consumption (SCFM)	37	51	66	81	97	114	131	149	167	186	206	226
Velocity (ft/s)*	22.1	29.3	35.6	41	45.6	49.2	51.9	53.7	54.6	54.6	53.8	52
Inlet Pressure (BAR)	0.7	1.4	2.1	2.8	3.5	4.2	4.9	5.6	6.2	6.9	7.7	8.4
Force (grams)*	853	1211	1592	1996	2409	2844	3298	3769	4259	4767	5293	5838
Air Consumption (SLPM)	1048	1444	1869	2294	2747	3228	3710	4219	4729	5267	5833	6400
Velocity (m/s)*	6.7	8.9	10.9	12.5	13.9	15	15.8	16.4	16.6	16.6	16.4	15.8

**AIR KNIFE™**

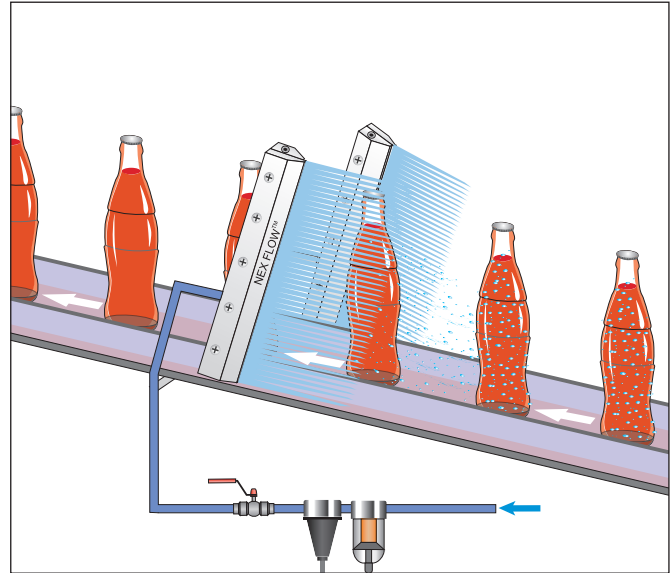




**ACCESSORIES**

It is important to keep the air supply clean and dry. We recommend a water removal filter with a float type automatic drain with a minimum filtration of 5 micron. If there is a chance of oil in the lines, we suggest an oil removal filter as well with a minimum filtration of 0.3 micron, also with an automatic drain.

To minimize air use, we recommend a regulator with gauge to set the minimum pressure necessary to operate the system. If the system can be turned on and off as necessary, we recommend a system such as our PLCFC System as described in Section A.



**OPTIONAL SILENT X-STREAM™ AIR BLADE™ AIR KNIFE COUPLING KIT.**



This one piece kit c/w 10 stainless steel screws connects any two Silent X-Stream™ Air Blade™ Air Knife of 6" or larger together to make a longer blowoff system to cover greater distances. The units come in three models. Model 10900X gold anodized aluminum for the gold anodized aluminum Silent X-Stream™ Air Blade™ Air Knives, Model 10900XHA for the Hard Anodized units, and Model 10900XS stainless for stainless steel models.



**CALCULATING AIR SAVINGS**

To obtain the air consumption of drilled holes in pipe, determine the size of the holes and multiply the air loss by the number of holes over the length. The air consumption of the X-stream air blade air knife is read off the performance tables.

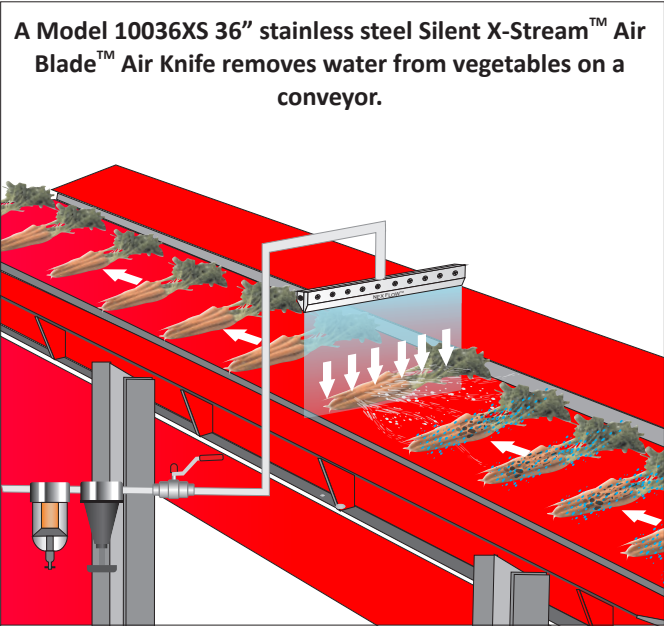
**EXAMPLE:**

Assume an existing blowoff of a 24" long pipe with 3/32" holes spaced equally apart for a total of 32 holes. At 80 PSIG, from the graph, each hole consumes about 9.4 SCFM for a total of 32 X 9.4 = 300.8 SCFM.

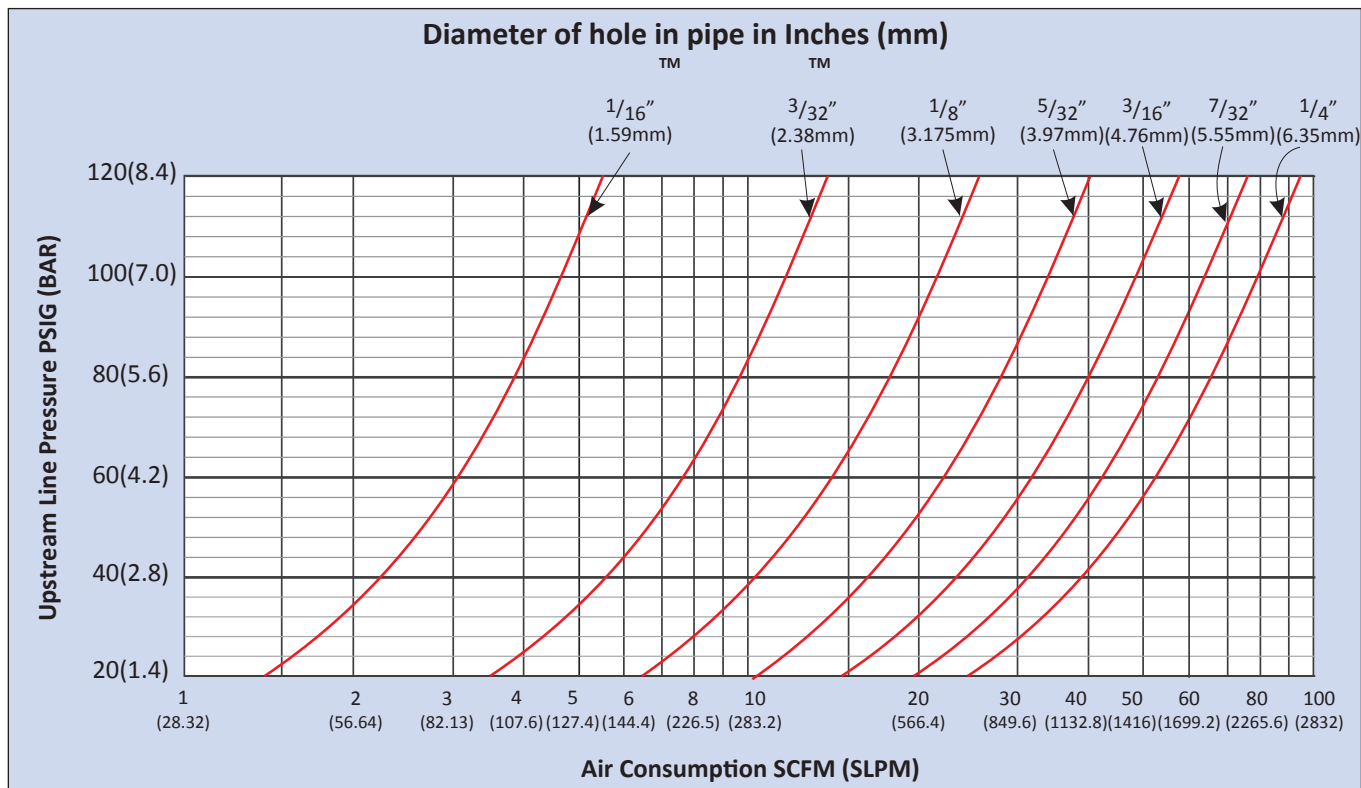
At 80 PSIG, a 24" X-stream air blade air knife consumes 80 SCFM (from the performance chart).  
Compressed air saved is 300.8 - 80 = 220.8 SCFM.

Using actual air costs if known (or assuming a reasonable cost of \$0.30 US per 1000 cubic feet) the dollars saved is 220.8 X 60 X 0.30/1000 = \$3.97 per hour or assuming a 2000 hour working year = \$7940.00 US funds saved annually.

Please refer to the Addendum on the explanation of Air Flow Amplification for a detailed explanation on what it is and how air amplification works.



**AIR BLADE™ AIR KNIFE**



## Gold Anodized Aluminum X-Stream™ Full-Flow Air Blade™ Air Knives

PART NO.	DESCRIPTION
10002X	2" Gold Anodized Alum. X-Stream™ Air Blade™ Air Knife Only
10003X	3" Gold Anodized Alum. X-Stream™ Air Blade™ Air Knife Only
10006X	6" Gold Anodized Alum. X-Stream™ Air Blade™ Air Knife Only
10009X	9" Gold Anodized Alum. X-Stream™ Air Blade™ Air Knife Only
10012X	12" Gold Anodized Alum. X-Stream™ Air Blade™ Air Knife Only
10015X	15" Gold Anodized Alum. X-Stream™ Air Blade™ Air Knife Only
10018X	18" Gold Anodized Alum. X-Stream™ Air Blade™ Air Knife Only
10024X	24" Gold Anodized Alum. X-Stream™ Air Blade™ Air Knife Only
10030X	30" Gold Anodized Alum. X-Stream™ Air Blade™ Air Knife Only
10036X	36" Gold Anodized Alum. X-Stream™ Air Blade™ Air Knife Only
10042X	42" Gold Anodized Alum. X-Stream™ Air Blade™ Air Knife Only
10048X	48" Gold Anodized Alum. X-Stream™ Air Blade™ Air Knife Only
10054X	54" Gold Anodized Alum. X-Stream™ Air Blade™ Air Knife Only
11002X	2" Gold Anodized Alum. X-Stream™ Air Blade™ Air Knife plus Filter with Auto Drain
11003X	3" Gold Anodized Alum. X-Stream™ Air Blade™ Air Knife plus Filter with Auto Drain
11006X	6" Gold Anodized Alum. X-Stream™ Air Blade™ Air Knife plus Filter with Auto Drain
11009X	9" Gold Anodized Alum. X-Stream™ Air Blade™ Air Knife plus Filter with Auto Drain
11012X	12" Gold Anodized Alum. X-Stream™ Air Blade™ Air Knife plus Filter with Auto Drain
11015X	15" Gold Anodized Alum. X-Stream™ Air Blade™ Air Knife plus Filter with Auto Drain
11018X	18" Gold Anodized Alum. X-Stream™ Air Blade™ Air Knife plus Filter with Auto Drain
11024X	24" Gold Anodized Alum. X-Stream™ Air Blade™ Air Knife plus Filter with Auto Drain
11030X	30" Gold Anodized Alum. X-Stream™ Air Blade™ Air Knife plus Filter with Auto Drain
11036X	36" Gold Anodized Alum. X-Stream™ Air Blade™ Air Knife plus Filter with Auto Drain
11042X	42" Gold Anodized Alum. X-Stream™ Air Blade™ Air Knife plus Filter with Auto Drain
11048X	48" Gold Anodized Alum. X-Stream™ Air Blade™ Air Knife plus Filter with Auto Drain
11054X	54" Gold Anodized Alum. X-Stream™ Air Blade™ Air Knife plus Filter with Auto Drain
12002X	2" Gold Anodized Alum. X-Stream™ Air Blade™ Air Knife + Filter with Auto Drain + Regulator with Gauge
12003X	3" Gold Anodized Alum. X-Stream™ Air Blade™ Air Knife + Filter with Auto Drain + Regulator with Gauge
12006X	6" Gold Anodized Alum. X-Stream™ Air Blade™ Air Knife + Filter with Auto Drain + Regulator with Gauge
12009X	9" Gold Anodized Alum. X-Stream™ Air Blade™ Air Knife + Filter with Auto Drain + Regulator with Gauge
12012X	12" Gold Anodized Alum. X-Stream™ Air Blade™ Air Knife + Filter with Auto Drain + Regulator with Gauge
12015X	15" Gold Anodized Alum. X-Stream™ Air Blade™ Air Knife + Filter with Auto Drain + Regulator with Gauge
12018X	18" Gold Anodized Alum. X-Stream™ Air Blade™ Air Knife + Filter with Auto Drain + Regulator with Gauge
12024X	24" Gold Anodized Alum. X-Stream™ Air Blade™ Air Knife + Filter with Auto Drain + Regulator with Gauge
12030X	30" Gold Anodized Alum. X-Stream™ Air Blade™ Air Knife + Filter with Auto Drain + Regulator with Gauge
12036X	36" Gold Anodized Alum. X-Stream™ Air Blade™ Air Knife + Filter with Auto Drain + Regulator with Gauge
12042X	42" Gold Anodized Alum. X-Stream™ Air Blade™ Air Knife + Filter with Auto Drain + Regulator with Gauge
12048X	48" Gold Anodized Alum. X-Stream™ Air Blade™ Air Knife + Filter with Auto Drain + Regulator with Gauge
12054X	54" Gold Anodized Alum. X-Stream™ Air Blade™ Air Knife + Filter with Auto Drain + Regulator with Gauge

## Extra Stainless Steel Shims X-Stream™ Air Blade™ Air Knives (.002" or .050 mm Thick)

PART NO.	DESCRIPTION		
		10118XS	18" Stainless Steel Shim
10102XS	2" Stainless Steel Shim	10124XS	24" Stainless Steel Shim
10103XS	3" Stainless Steel Shim	10130XS	30" Stainless Steel Shim
10106XS	6" Stainless Steel Shim	10136XS	36" Stainless Steel Shim
10109XS	9" Stainless Steel Shim	10142XS	42" Stainless Steel Shim
10112XS	12" Stainless Steel Shim	10148XS	48" Stainless Steel Shim
10115XS	15" Stainless Steel Shim	10154XS	54" Stainless Steel Shim

**10900X:** Aluminum X-Stream™ Air Blade™ Air Knife Coupling Kit c/w 10 screws to couple together any aluminum Silent X-Stream™ Air Blade™ Air Knife from 6" & up.

**NOTE:** Plastic shims can wear out quickly in Air Knives if the air is not clean. Nex Flow™ uses ONLY stainless steel shims.



## Hard Anodized Aluminum X-Stream™ Full-Flow Air Blade™ Air Knives

PART NO.	DESCRIPTION
10002XHA	2" Hard Anodized Alum. X-Stream™ Air Blade™ Air Knife Only
10003XHA	3" Hard Anodized Alum. X-Stream™ Air Blade™ Air Knife Only
10006XHA	6" Hard Anodized Alum. X-Stream™ Air Blade™ Air Knife Only
10009XHA	9" Hard Anodized Alum. X-Stream™ Air Blade™ Air Knife Only
10012XHA	12" Hard Anodized Alum. X-Stream™ Air Blade™ Air Knife Only
10015XHA	15" Hard Anodized Alum. X-Stream™ Air Blade™ Air Knife Only
10018XHA	18" Hard Anodized Alum. X-Stream™ Air Blade™ Air Knife Only
10024XHA	24" Hard Anodized Alum. X-Stream™ Air Blade™ Air Knife Only
10030XHA	30" Hard Anodized Alum. X-Stream™ Air Blade™ Air Knife Only
10036XHA	36" Hard Anodized Alum. X-Stream™ Air Blade™ Air Knife Only
10042XHA	42" Hard Anodized Alum. X-Stream™ Air Blade™ Air Knife Only
10048XHA	48" Hard Anodized Alum. X-Stream™ Air Blade™ Air Knife Only
10054XHA	54" Hard Anodized Alum. X-Stream™ Air Blade™ Air Knife Only
11002XHA	2" Hard Anodized Alum. X-Stream™ Air Blade™ Air Knife plus Filter with Auto Drain
11003XHA	3" Hard Anodized Alum. X-Stream™ Air Blade™ Air Knife plus Filter with Auto Drain
11006XHA	6" Hard Anodized Alum. X-Stream™ Air Blade™ Air Knife plus Filter with Auto Drain
11009XHA	9" Hard Anodized Alum. X-Stream™ Air Blade™ Air Knife plus Filter with Auto Drain
11012XHA	12" Hard Anodized Alum. X-Stream™ Air Blade™ Air Knife plus Filter with Auto Drain
11015XHA	15" Hard Anodized Alum. X-Stream™ Air Blade™ Air Knife plus Filter with Auto Drain
11018XHA	18" Hard Anodized Alum. X-Stream™ Air Blade™ Air Knife plus Filter with Auto Drain
11024XHA	24" Hard Anodized Alum. X-Stream™ Air Blade™ Air Knife plus Filter with Auto Drain
11030XHA	30" Hard Anodized Alum. X-Stream™ Air Blade™ Air Knife plus Filter with Auto Drain
11036XHA	36" Hard Anodized Alum. X-Stream™ Air Blade™ Air Knife plus Filter with Auto Drain
11042XHA	42" Hard Anodized Alum. X-Stream™ Air Blade™ Air Knife plus Filter with Auto Drain
11048XHA	48" Hard Anodized Alum. X-Stream™ Air Blade™ Air Knife plus Filter with Auto Drain
11054XHA	54" Hard Anodized Alum. X-Stream™ Air Blade™ Air Knife plus Filter with Auto Drain
12002XHA	2" Hard Anodized Alum. X-Stream™ Air Blade™ Air Knife + Filter with Auto Drain + Regulator with Gauge
12003XHA	3" Hard Anodized Alum. X-Stream™ Air Blade™ Air Knife + Filter with Auto Drain + Regulator with Gauge
12006XHA	6" Hard Anodized Alum. X-Stream™ Air Blade™ Air Knife + Filter with Auto Drain + Regulator with Gauge
12009XHA	9" Hard Anodized Alum. X-Stream™ Air Blade™ Air Knife + Filter with Auto Drain + Regulator with Gauge
12012XHA	12" Hard Anodized Alum. X-Stream™ Air Blade™ Air Knife + Filter with Auto Drain + Regulator with Gauge
12015XHA	15" Hard Anodized Alum. X-Stream™ Air Blade™ Air Knife + Filter with Auto Drain + Regulator with Gauge
12018XHA	18" Hard Anodized Alum. X-Stream™ Air Blade™ Air Knife + Filter with Auto Drain + Regulator with Gauge
12024XHA	24" Hard Anodized Alum. X-Stream™ Air Blade™ Air Knife + Filter with Auto Drain + Regulator with Gauge
12030XHA	30" Hard Anodized Alum. X-Stream™ Air Blade™ Air Knife + Filter with Auto Drain + Regulator with Gauge
12036XHA	36" Hard Anodized Alum. X-Stream™ Air Blade™ Air Knife + Filter with Auto Drain + Regulator with Gauge
12042XHA	42" Hard Anodized Alum. X-Stream™ Air Blade™ Air Knife + Filter with Auto Drain + Regulator with Gauge
12048XHA	48" Hard Anodized Alum. X-Stream™ Air Blade™ Air Knife + Filter with Auto Drain + Regulator with Gauge
10054XHA	54" Hard Anodized Alum. X-Stream™ Air Blade™ Air Knife + Filter with Auto Drain + Regulator with Gauge

## Extra Stainless Steel Shims X-Stream™ Air Blade™ Air Knives (.002" or .050 mm Thick)

PART NO.	DESCRIPTION		
		10118XS	18" Stainless Steel Shim
10102XS	2" Stainless Steel Shim	10124XS	24" Stainless Steel Shim
10103XS	3" Stainless Steel Shim	10130XS	30" Stainless Steel Shim
10106XS	6" Stainless Steel Shim	10136XS	36" Stainless Steel Shim
10109XS	9" Stainless Steel Shim	10142XS	42" Stainless Steel Shim
10112XS	12" Stainless Steel Shim	10148XS	48" Stainless Steel Shim
10115XS	15" Stainless Steel Shim	10154XS	54" Stainless Steel Shim

**10900XHA:** Aluminum X-Stream™ Air Blade™ Air Knife Coupling Kit c/w 10 screws to couple together any aluminum Silent X-Stream™ Air Blade™ Air Knife from 6" & up.

**NOTE:** Plastic shims can wear out quickly in Air Knives if the air is not clean. Nex Flow™ uses ONLY stainless steel shims.

**E-mail:-** ■ sales@nexflow.com ■ sales@nexflowair.com ■ sales@nex-flow.com

**Web:-** ■ www.nexflow.com ■ www.nexflowair.com ■ www.nex-flow.com

**AIR BLADE™ AIR KNIFE**

## STAINLESS STEEL X-STREAM™ AIR BLADE™ AIR KNIVES

PART NO.	DESCRIPTION
10002XS	2" Stainless Steel X-Stream™ Full-Flow Air Blade™ Air Knife Only
10003XS	3" Stainless Steel X-Stream™ Full-Flow Air Blade™ Air Knife Only
10006XS	6" Stainless Steel X-Stream™ Full-Flow Air Blade™ Air Knife Only
10009XS	9" Stainless Steel X-Stream™ Full-Flow Air Blade™ Air Knife Only
10012XS	12" Stainless Steel X-Stream™ Full-Flow Air Blade™ Air Knife Only
10015XS	15" Stainless Steel X-Stream™ Full-Flow Air Blade™ Air Knife Only
10018XS	18" Stainless Steel X-Stream™ Full-Flow Air Blade™ Air Knife Only
10024XS	24" Stainless Steel X-Stream™ Full-Flow Air Blade™ Air Knife Only
10030XS	30" Stainless Steel X-Stream™ Full-Flow Air Blade™ Air Knife Only
10036XS	36" Stainless Steel X-Stream™ Full-Flow Air Blade™ Air Knife Only
10042XS	42" Stainless Steel X-Stream™ Full-Flow Air Blade™ Air Knife Only
10048XS	48" Stainless Steel X-Stream™ Full-Flow Air Blade™ Air Knife Only
10054XS	54" Stainless Steel X-Stream™ Full-Flow Air Blade™ Air Knife Only
11002XS	2" Stainless Steel X-Stream™ Full-Flow Air Blade™ Air Knife plus Filter with Auto Drain
11003XS	3" Stainless Steel X-Stream™ Full-Flow Air Blade™ Air Knife plus Filter with Auto Drain
11006XS	6" Stainless Steel X-Stream™ Full-Flow Air Blade™ Air Knife plus Filter with Auto Drain
11009XS	9" Stainless Steel X-Stream™ Full-Flow Air Blade™ Air Knife plus Filter with Auto Drain
11012XS	12" Stainless Steel X-Stream™ Full-Flow Air Blade™ Air Knife plus Filter with Auto Drain
11015XS	15" Stainless Steel X-Stream™ Full-Flow Air Blade™ Air Knife plus Filter with Auto Drain
11018XS	18" Stainless Steel X-Stream™ Full-Flow Air Blade™ Air Knife plus Filter with Auto Drain
11024XS	24" Stainless Steel X-Stream™ Full-Flow Air Blade™ Air Knife plus Filter with Auto Drain
11030XS	30" Stainless Steel X-Stream™ Full-Flow Air Blade™ Air Knife plus Filter with Auto Drain
11036XS	36" Stainless Steel X-Stream™ Full-Flow Air Blade™ Air Knife plus Filter with Auto Drain
11042XS	42" Stainless Steel X-Stream™ Full-Flow Air Blade™ Air Knife plus Filter with Auto Drain
11048XS	48" Stainless Steel X-Stream™ Full-Flow Air Blade™ Air Knife plus Filter with Auto Drain
11054XS	54" Stainless Steel X-Stream™ Full-Flow Air Blade™ Air Knife plus Filter with Auto Drain
12002XS	2" Stainless Steel X-Stream™ Full-Flow Air Blade™ Air Knife + Filter with Auto Drain + Regulator with Gauge
12003XS	3" Stainless Steel X-Stream™ Full-Flow Air Blade™ Air Knife + Filter with Auto Drain + Regulator with Gauge
12006XS	6" Stainless Steel X-Stream™ Full-Flow Air Blade™ Air Knife + Filter with Auto Drain + Regulator with Gauge
12009XS	9" Stainless Steel X-Stream™ Full-Flow Air Blade™ Air Knife + Filter with Auto Drain + Regulator with Gauge
12012XS	12" Stainless Steel X-Stream™ Full-Flow Air Blade™ Air Knife + Filter with Auto Drain + Regulator with Gauge
12015XS	15" Stainless Steel X-Stream™ Full-Flow Air Blade™ Air Knife + Filter with Auto Drain + Regulator with Gauge
12018XS	18" Stainless Steel X-Stream™ Full-Flow Air Blade™ Air Knife + Filter with Auto Drain + Regulator with Gauge
12024XS	24" Stainless Steel X-Stream™ Full-Flow Air Blade™ Air Knife + Filter with Auto Drain + Regulator with Gauge
12030XS	30" Stainless Steel X-Stream™ Full-Flow Air Blade™ Air Knife + Filter with Auto Drain + Regulator with Gauge
12036XS	36" Stainless Steel X-Stream™ Full-Flow Air Blade™ Air Knife + Filter with Auto Drain + Regulator with Gauge
12042XS	42" Stainless Steel X-Stream™ Full-Flow Air Blade™ Air Knife + Filter with Auto Drain + Regulator with Gauge
12048XS	48" Stainless Steel X-Stream™ Full-Flow Air Blade™ Air Knife + Filter with Auto Drain + Regulator with Gauge
12054XS	54" Stainless Steel X-Stream™ Full-Flow Air Blade™ Air Knife + Filter with Auto Drain + Regulator with Gauge

## Extra Stainless Steel Shims X-Stream™ Air Blade™ Air Knives (.002" or .050 mm Thick)

PART NO.	DESCRIPTION		
		10118XS	18" Stainless Steel Shim
10102XS	2" Stainless Steel Shim	10124XS	24" Stainless Steel Shim
10103XS	3" Stainless Steel Shim	10130XS	30" Stainless Steel Shim
10106XS	6" Stainless Steel Shim	10136XS	36" Stainless Steel Shim
10109XS	9" Stainless Steel Shim	10142XS	42" Stainless Steel Shim
10112XS	12" Stainless Steel Shim	10148XS	48" Stainless Steel Shim
10115XS	15" Stainless Steel Shim	10154XS	54" Stainless Steel Shim

**10900X:** Stainless Steel X-Stream™ Air Blade™ Air Knife Coupling Kit c/w 10 screws to couple together any Stainless Steel Silent X-Stream™ Air Blade™ Air Knife from 6" & up.

**NOTE:** Plastic shims can wear out quickly in Air Knives if the air is not clean. Nex Flow™ uses ONLY stainless steel shims.



## STANDARD AIR BLADE™ AIR KNIFE

Blowoff, clean, cool and dry with a strong curtain of amplified airflow.

### WHAT ARE THEY - REASONS TO USE

Standard Air Blade™ Air Knife Blowoff System from Nex Flow™ is easy to mount and maintain, reducing both compressed air consumption and noise levels.

The Standard Air Blade™ Air Knife Blowoff System produces a "Laminar" flow of air along its length using the "Coanda" effect which "entrains" a large volume of air from the surrounding area along with the small amount of compressed air from the Air Blade™ Air knife to produce an output flow up to 30 times. System payback on compressed air savings can be as soon as a few weeks in some applications. It is less costly than the highly efficient and quiet Silent Air Blade™ Air Knife but it is popular for more heavy duty installations due to its greater bulk. In addition, it is excellent for some applications when mounted flush to a flat surface to create an extended air barrier along that surface. Normally the X-Stream™ version is most efficient although the Standard would be lowest initial cost.



A Model 10018 Standard Air Blade™ Air Knife is used to blow scrap pieces and dirt from cellular phone parts after machining.

### STANDARD AIR BLADE™ AIR KNIFE FEATURES:

- ▶ No moving parts - anodized aluminum or stainless steel
- ▶ Compact design, simple, lightweight and portable
- ▶ Rugged design
- ▶ Full flow - air across entire length of Air Knife
- ▶ Air inlets at ends and back
- ▶ Driven by air not electricity
- ▶ Replaces drilled pipe and open jets or nozzles used for blowoff, cleaning, drying and cooling
- ▶ High airflow amplification
- ▶ Instant on-off, no electricity or explosion hazard

### STANDARD AIR BLADE™ AIR KNIFE BENEFITS:

- ▶ Longer life in difficult environments than competitive models
- ▶ Lower compressed air consumption than drilled pipe or rows of open jets and nozzles.
- ▶ Can be placed end to end for continuous airflow.
- ▶ Maintenance free with output easily controlled, safe to use.

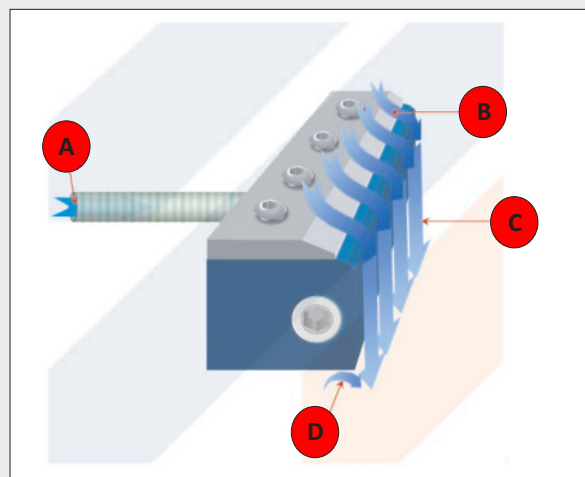
**NOTE:** Plastic shims can wear out quickly in Air Knives if the air is not clean. Nex Flow™ uses only stainless steel shims.



Mounting and holding systems are available for the Standard Air Blade Air Knife. Fully flexible positioning  
See Accessories

### STANDARD AIR BLADE™ AIR KNIFE - HOW IT WORKS:

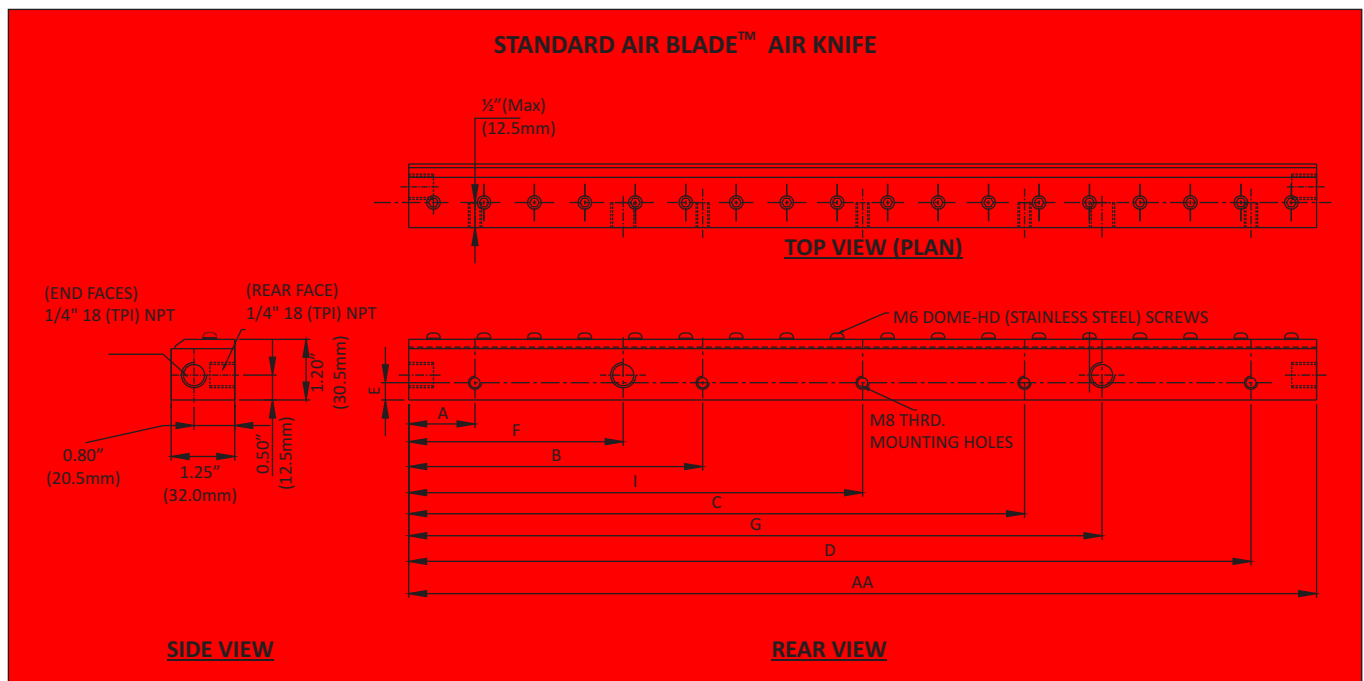
**Standard Air Blade™ Air Knife** - Compressed air enters the Air Knife at the rear (or end) ports at (A). Air is entrained at point (B) by the compressed air stream that leaves the Air Knife from a small gap. The entrained air follows the "Coanda" profile along the front face (C) that directs the air flow in a perfect straight line at 90 degrees to create a uniform sheet of air along the entire length of the Air Blade™ Air Knife. As the air leaves the Air Knife at point (D) the amplified air stream maximizes velocity and force is maximized as a well-defined sheet of laminar flow with minimal wind shear for reduced energy use in blowoff and cooling.



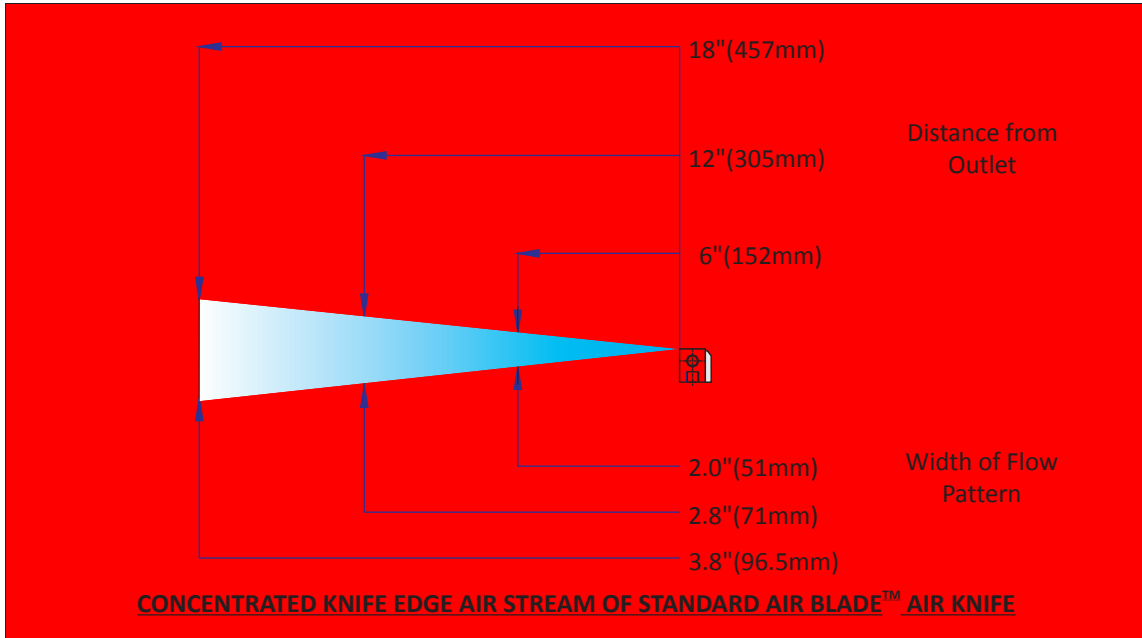


Standard Air Blade™ Air Knife is available in eight standard lengths in anodized aluminum and in seven lengths in stainless steel: 3" (76 mm), 6" (150 mm), 8" (203.2 mm) (not available in stainless), 12" (300 mm), 18" (457 mm), 24" (609.5 mm), 30" (761 mm), 36" (914 mm)

PART NO. (Aluminum & Stainless Steel)	AA Inches (mm)	A Inches (mm)	B Inches (mm)	C Inches (mm)	D Inches (mm)	E Inches (mm)	F Inches (mm)	G Inches (mm)	H Inches (mm)	Number of Rear Inlet (Side Inlets)
Model 10003 Aluminum	3"(76.2)	.625"(15.9)	N/A	N/A	2.375"(60.3)	0.344"(8.7)	1.50"(38.1)	N/A	N/A	1(2)
Model 10003S Stainless	3"(76.2)	.625"(15.9)	N/A	N/A	2.375"(60.3)	0.344"(8.7)	1.50"(38.1)	N/A	N/A	1(2)
Model 10006 Aluminum	6"(152)	1"(25.4)	N/A	N/A	5.0"(12.7)	0.344"(8.7)	3.0"(76.2)	N/A	N/A	1(2)
Model 10006S Stainless	6"(152)	1"(25.4)	N/A	N/A	5.0"(127)	0.344"(8.7)	3.0"(76.2)	N/A	N/A	1(2)
Model 10008 Aluminum	8"(203.2)	1.187"(30)	2.37"(60.2)	5.63"(143)	6.813"(162)	0.344"(8.7)	4.0"(101.6)	N/A	N/A	1(2)
Model 10008S Stainless	8"(203.2)	1.187"(30)	2.37"(60.2)	5.63"(143)	6.813"(162)	0.344"(8.7)	4.0"(101.6)	N/A	N/A	1(2)
Model 10012 Aluminum	12"(305)	1"(25.4)	3.1"(78.7)	8.9"(127)	11.0"(279)	0.344"(8.7)	6.0"(152)	N/S	N/S	1(2)
Model 10012S Stainless	12"(305)	1"(25.4)	3.1"(78.7)	8.9"(127)	11.0"(279)	0.344"(8.7)	6.0"(152)	N/A	N/A	1(2)
Model 10018 Aluminum	18"(457)	1.3"(33.4)	5.8"(148)	12.2"(310)	16.7"(424)	0.344"(8.7)	4.25"(108)	13.75"(349)	N/A	2(2)
Model 10018S Stainless	18"(457)	1.3"(33.4)	5.8"(148)	12.2"(310)	16.7"(424)	0.344"(8.7)	4.25"(108)	13.75"(349)	N/A	2(2)
Model 10024 Aluminum	24"(610)	1.3"(33.4)	4.2"(107)	19.8"(503)	22.7"(577)	0.344"(8.7)	7.3"(183)	16.7"(424)	12.0"(304.8)	2(2)
Model 10024S Stainless	24"(610)	1.3"(33.4)	4.2"(107)	19.8"(503)	22.7"(577)	0.344"(8.7)	7.3"(183)	16.7"(424)	12.0"(304.8)	2(2)
Model 10030 Aluminum	30"(761)	1.13"(28.7)	10.92"(277)	19.08"(485)	28.87"(733)	0.344"(8.7)	7.66"(195)	22.34"(567)	N/A	2(2)
Model 10030S Stainless	30"(761)	1.13"(28.7)	10.92"(277)	19.08"(485)	28.87"(733)	0.344"(8.7)	7.66"(195)	22.34"(567)	N/A	2(2)
Model 10036 Aluminum	36"(914)	1.09"(27.7)	10.75"(273)	18.75"(28.4)	34.92"(887)	0.344"(8.7)	7.53"(191)	28.47"(723)	18.8"(478)	2(2)
Model 10036S Stainless	36"(914)	1.09"(27.7)	10.75"(273)	18.75"(28.4)	34.92"(997)	0.344"(8.7)	7.53"(191)	28.47"(723)	18.8"(478)	2(2)



(\* BSP Threads or Adaptors can be supplied depending on country location)

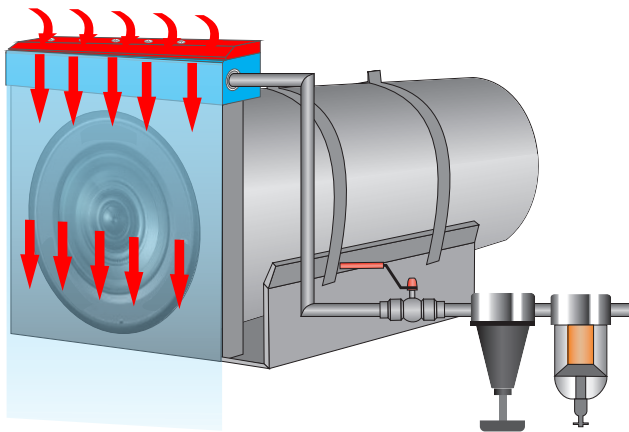


**NOTE:**

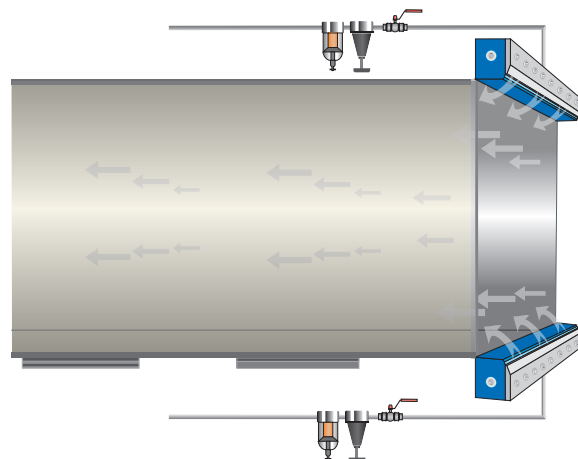
The performance of the X-Stream™ Air Blade™ Air Knife and the Standard Air Blade™ Air Knife will be relatively the same given "same" internal chamber conditions. However, due to design the X-Stream™ Air Blade™ will use about 15% "LESS" compressed air. This generally means less air line pressure drop and "higher" chamber pressures in an X-Stream™ Air Blade™ given the same application and therefore superior performance (as well as lower noise levels). The Standard Air Blade™ Air Knife however is lower cost has applications suited to its unique design.

**AIR BLADE™ AIR KNIFE**

A Model 10003 3" Standard Air Blade™ Air Knife is mounted such that the surface of the Air Knife is flush with the surface of a camera lens. The air flows along the surface of the Air Knife and continues along the lens due to a boundary layer effect that provides a laminar "barrier" to the dirty environmental air, keeping the lens clean and dry.



Two Model 10012 Standard Air Blade™ Air Knives are installed on a duct (One on top, One on bottom) to draw in waste fumes & exhaust. The air leaving the Air Knives hug the inside wall creating an excellent vacuum inside the duct.



Velocity is important in that it can determine the cooling effect and to some extent is related to the blowoff force. Velocity will vary significantly depending on the temperature of the ambient air the hotter the air, the greater the velocity (and the greater the amplification of air flow) so velocity figures at best are an approximation. As air is entrained, the flow increases and as the flow increases the velocity must come down.

The velocity at the exit of the Standard Air Blade™ Air Knife is obviously the highest but the figure is of no real value as once the surrounding air is entrained, the velocity drops dramatically. (Be very varying of extremely high velocity claims downstream of any Air Knife). The figures we provide can be verified with a velocity meter. There will be variations in measurement due to air pressure, and atmospheric conditions. The velocity is, among these other things dependent on the chamber pressure. That pressure in turn depends upon pipe size, pressure drops in the system, distance from the compressor station to the use point, and many other factors.

**CALCULATING AIR SAVINGS**

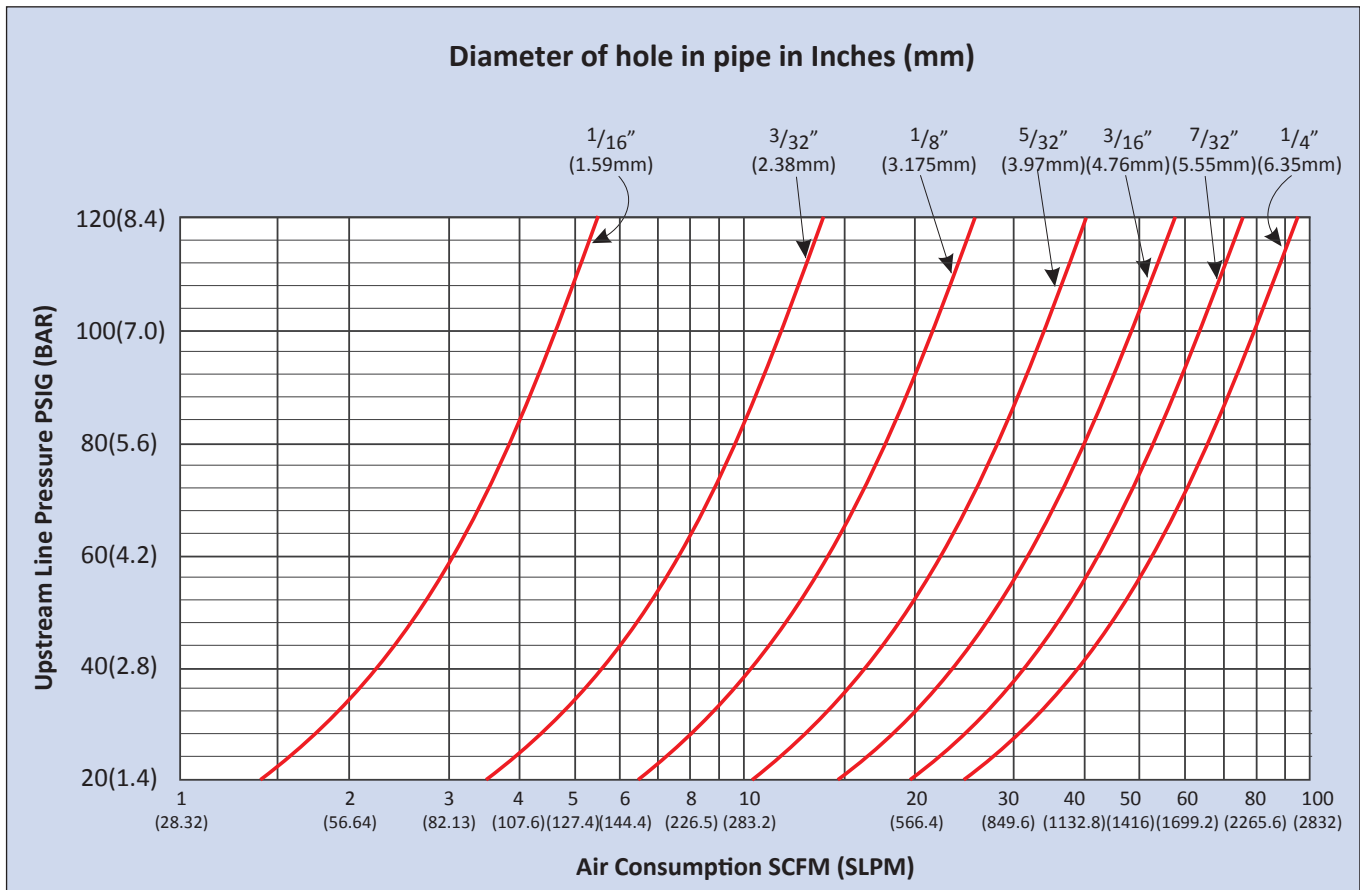
To obtain the air consumption of drilled holes in pipe, determine the size of the holes and multiply the air loss by the number of holes over the length. The air consumption of the standard air blade air knife is read off the performance tables.

**EXAMPLE:**

Assume an existing blowoff of a 30" long pipe with 3/32" holes spaced equally apart for a total of 40 holes. At 80 PSIG, from the graph, each hole consumes about 9.4 SCFM for a total of 40 X 9.4 = 376 SCFM.

At 80 PSIG, a 30" standard air blade air knife consumes 61 SCFM (from the performance chart). Compressed air saved is 376 - 61 = 315 SCFM.

Using actual air costs if known (or assuming a reasonable cost of \$0.30 US per 1000 cubic feet) the dollars saved is 315 X 60 X 0.30/1000 = \$5.67 per hour or assuming a 2000 hour working year = \$11340.00 US funds saved annually.



**Aluminum Standard Air Blade™ Air Knife**

PART NO.	DESCRIPTION
10003	3" Aluminum Standard Full-Flow Air Blade™ Air Knife Only
10006	6" Aluminum Standard Full-Flow Air Blade™ Air Knife Only
10008	8" Aluminum Standard Full-Flow Air Blade™ Air Knife Only
10012	12" Aluminum Standard Full-Flow Air Blade™ Air Knife Only
10018	18" Aluminum Standard Full-Flow Air Blade™ Air Knife Only
10024	24" Aluminum Standard Full-Flow Air Blade™ Air Knife Only
10030	30" Aluminum Standard Full-Flow Air Blade™ Air Knife Only
10036	36" Aluminum Standard Full-Flow Air Blade™ Air Knife Only
11003	3" Aluminum Standard Full-Flow Air Blade™ Air Knife plus Filter with Auto Drain
11006	6" Aluminum Standard Full-Flow Air Blade™ Air Knife plus Filter with Auto Drain
11008	8" Aluminum Standard Full-Flow Air Blade™ Air Knife plus Filter with Auto Drain
11012	12" Aluminum Standard Full-Flow Air Blade™ Air Knife plus Filter with Auto Drain
11018	18" Aluminum Standard Full-Flow Air Blade™ Air Knife plus Filter with Auto Drain
11024	24" Aluminum Standard Full-Flow Air Blade™ Air Knife plus Filter with Auto Drain
11030	30" Aluminum Standard Full-Flow Air Blade™ Air Knife plus Filter with Auto Drain
11036	36" Aluminum Standard Full-Flow Air Blade™ Air Knife plus Filter with Auto Drain
12003	3" Aluminum Standard Full-Flow Air Blade™ Air Knife + Filter with Auto Drain + Reg. With gauge
12006	6" Aluminum Standard Full-Flow Air Blade™ Air Knife + Filter with Auto Drain + Reg. With gauge
12008	8" Aluminum Standard Full-Flow Air Blade™ Air Knife + Filter with Auto Drain + Reg. with gauge
12012	12" Aluminum Standard Full-Flow Air Blade™ Air Knife + Filter with Auto Drain + Reg. With gauge
12018	18" Aluminum Standard Full-Flow Air Blade™ Air Knife + Filter with Auto Drain + Reg. with gauge
12024	24" Aluminum Standard Full-Flow Air Blade™ Air Knife + Filter with Auto Drain + Reg. with gauge
12030	30" Aluminum Standard Full-Flow Air Blade™ Air Knife + Filter with Auto Drain + Reg. with gauge
12036	36" Aluminum Standard Full-Flow Air Blade™ + Filter with Auto Drain + Regulator with gauge

**Extra Stainless Steel Shims Standard Air Blade™ Air Knife (.002" or .050 mm Thick)**

PART NO.	DESCRIPTION	PART NO.	DESCRIPTION
10103S	3" Stainless Steel Shim	10118S	18" Stainless Steel Shim
10106S	6" Stainless Steel Shim	10124S	24" Stainless Steel Shim
10108S	8" Stainless Steel Shim	10130S	30" Stainless Steel Shim
10112S	12" Stainless Steel Shim	10136S	36" Stainless Steel Shim

**NOTE:** Plastic shims can wear out quickly in Air Knives if the air is not clean. Nex Flow™ uses ONLY stainless steel shims.

**E-mail:-** ■ sales@nexflow.com ■ sales@nexflowair.com ■ sales@nex-flow.com

**Web:-** ■ www.nexflow.com ■ www.nexflowair.com ■ www.nex-flow.com

**AIR BLADE™ AIR KNIFE**

## Stainless Steel Standard Air Blade™ Air Knife

PART NO.	DESCRIPTION
10003S	3" Stainless Steel Standard Full-Flow Air Blade™ Only
10006S	6" Stainless Steel Standard Full-Flow Air Blade™ Only
10012S	12" Stainless Steel Standard Full-Flow Air Blade™ Only
10018S	18" Stainless Steel Standard Full-Flow Air Blade™ Only
10024S	24" Stainless Steel Standard Full-Flow Air Blade™ Only
10030S	30" Stainless Steel Standard Full-Flow Air Blade™ Only
10036S	36" Stainless Steel Standard Full-Flow Air Blade™ Only
11003S	3" Stainless Steel Standard Full-Flow Air Blade™ plus Filter with Auto Drain
11006S	6" Stainless Steel Standard Full-Flow Air Blade™ plus Filter with Auto Drain
11012S	12" Stainless Steel Standard Full-Flow Air Blade™ plus Filter with Auto Drain
11018S	18" Stainless Steel Standard Full-Flow Air Blade™ plus Filter with Auto Drain
11024S	24" Stainless Steel Standard Full-Flow Air Blade™ plus Filter with Auto Drain
11030S	30" Stainless Steel Standard Full-Flow Air Blade™ plus Filter with Auto Drain
11036S	36" Stainless Steel Standard Full-Flow Air Blade™ plus Filter with Auto Drain
12003S	3" Stainless Steel Standard Full-Flow Air Blade™ + Filter with Auto Drain + Regulator with gauge
12006S	6" Stainless Steel Standard Full-Flow Air Blade™ + Filter with Auto Drain + Regulator
12012S	12" Stainless Steel Standard Full-Flow Air Blade™ + Filter with Auto Drain + Regulator with gauge
12018S	18" Stainless Steel Standard Full-Flow Air Blade™ + Filter with Auto Drain + Regulator with gauge
12024S	24" Stainless Steel Standard Full-Flow Air Blade™ + Filter with Auto Drain + Regulator with gauge
12030S	30" Stainless Steel Standard Full-Flow Air Blade™ + Filter with Auto Drain + Regulator with gauge
12036S	36" Stainless Steel Standard Full-Flow Air Blade™ + Filter with Auto Drain + Regulator with gauge

## Extra Stainless Steel Shims for Standard Air Blade™ Air Knife (.002" or .050 mm Thick)

PART NO.	DESCRIPTION
10103S	3" Stainless Steel Shim
10106S	6" Stainless Steel Shim
10112S	12" Stainless Steel Shim
10118S	18" Stainless Steel Shim

PART NO.	DESCRIPTION
10124S	24" Stainless Steel Shim
10130S	30" Stainless Steel Shim
10136S	36" Stainless Steel Shim

**NOTE:** Plastic shims can wear out quickly in Air Knives if the air is not clean. Nex Flow™ uses ONLY stainless steel shims.