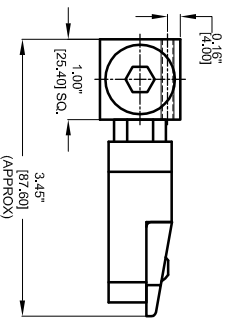
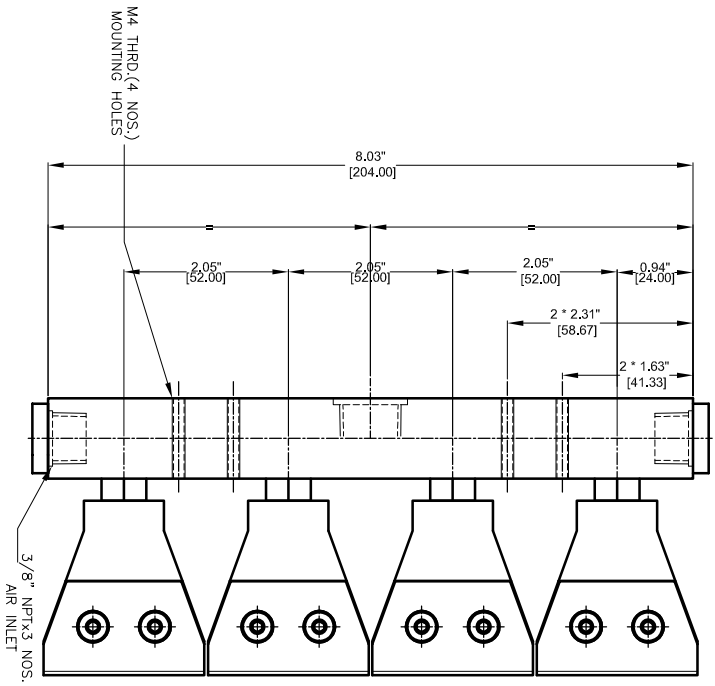
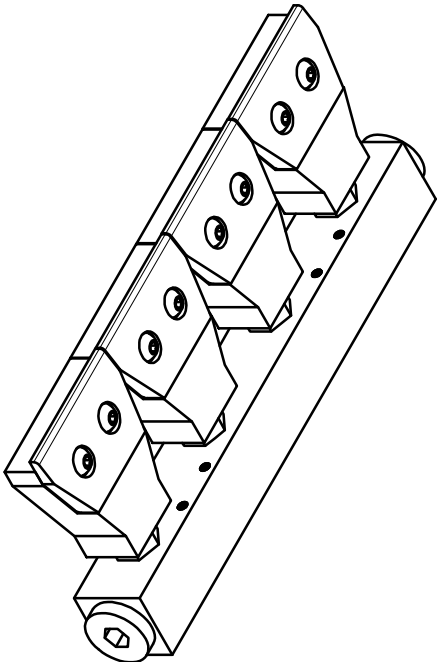


REVISIONS		DATE	APPROVED
REV	DESCRIPTION		
1	-	-	-



 	TEMP. AND/OR PROTECTION AL/SS304/SS316L	MATERIAL AL/SS304/SS316L	FINISH -
	REQUIREMENTS - UNLESS OTHERWISE SPECIFIED 1. DIMS. ARE IN INCHES (MILLIMETERS) 2. DIMS. ARE TO BE MAINTAINED IN ACCORDANCE WITH ASME Y14.5 (1982) 3. MACHINE FINISH 128 MICRO INCH RMS & BREAK SHARP CORNERS .005 TO .015 LIMITS 4. HOLES IN ACCORDANCE WITH AMS 10397	CONTINUED NUMBER CLIENT - CONTRACTOR - DATE 28/09/2014 DESIGNER - CHECKER - QA -	STRESS TENSILE - YIELD - MECHANICAL - ELECTRICAL -
PART NO. -	NEXT ASSEMBLY -	USED ON -	QTY PER PART NO. -
3	4	5	6
7	8	1	2

NEX FLOW AIR PRODUCTS CORP.
 10620 YONCE STREET, UNIT 359-220 RICHMOND HILL, ON L4C 3C7
 TEL: (416) 410-1313 & FAX: (416) 410-1806 www.nex-flow.com

4 PORT STANDARD FLOW MANIFOLD WITH 47011 FLATJET

47011

SCALE 1:1

DATE 28/09/2014

DESIGNER

CHECKER

QA

STRESS

TENSILE

YIELD

MECHANICAL

ELECTRICAL

CLIENT

CONTRACTOR

DATE

DESIGNER

CHECKER

QA

STRESS

TENSILE

YIELD

MECHANICAL

ELECTRICAL

CLIENT

CONTRACTOR

DATE

DESIGNER

CHECKER

QA