

8 7 6 5 4 3 2 1

E

E

D

D

C

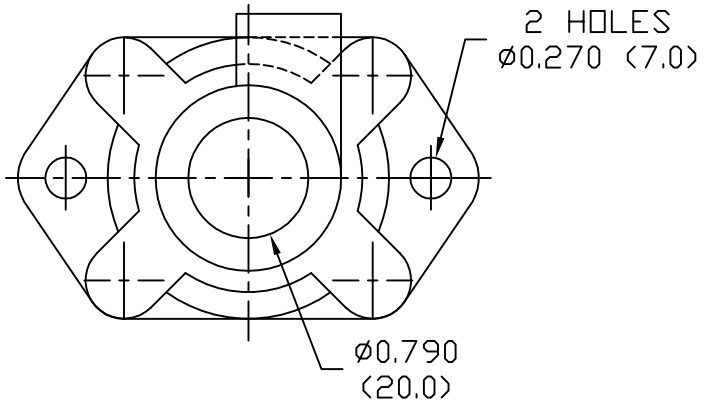
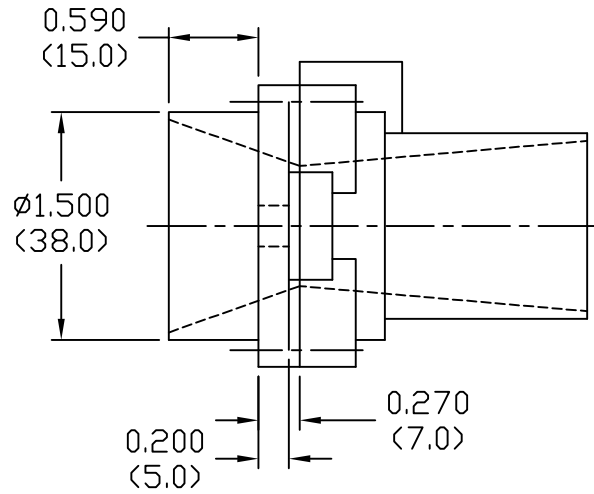
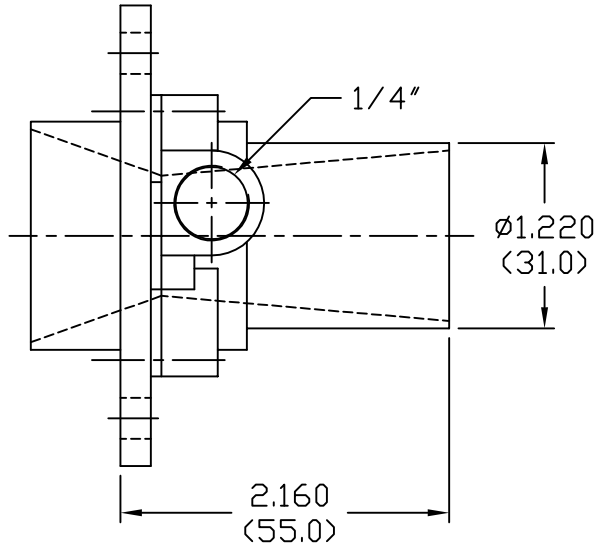
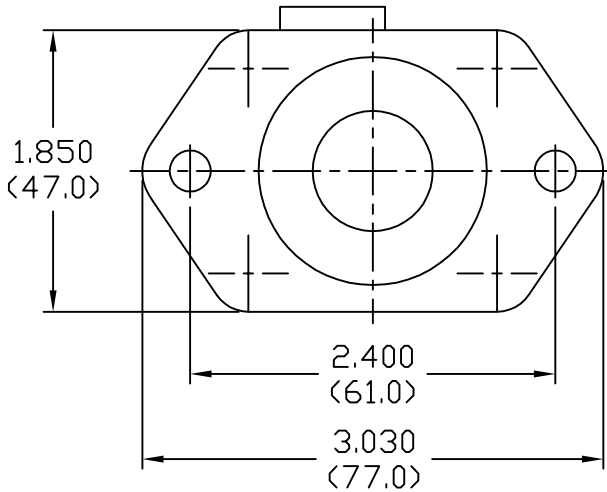
C

B

B

A

A



NOTE: ALL DIMENSIONS ARE IN INCHES AND DIMENSIONS IN 'Ø' ARE IN mm.		NEX FLOW AIR PRODUCTS CORP. 10520 YONGE STREET, UNIT 35B-220, RICHMOND HILL, ON L4C 3C7 TEL: (416) 410-1313 & FAX: (416) 410-1806 www.nex-flow.com			
DRAWN UM	DATE 10/06/2010	TITLE STANDARD AIR AMPLIFIER			
DESIGN LES	CHECKED APS	DIMENSIONAL DRAWING OF STANDARD AIR AMPLIFIER AM20 ASSEMBLY			
MATERIAL ZINC ALLOY		SIZE -	CAGE CODE -	DWG NO SAA-20	RELEASE -
THIRD ANGLE PROJECTION		SCALE 1:1	CAD NO SAA-20	SHEET 1	REV OF 1

8 7 6 5 4 3 2 1