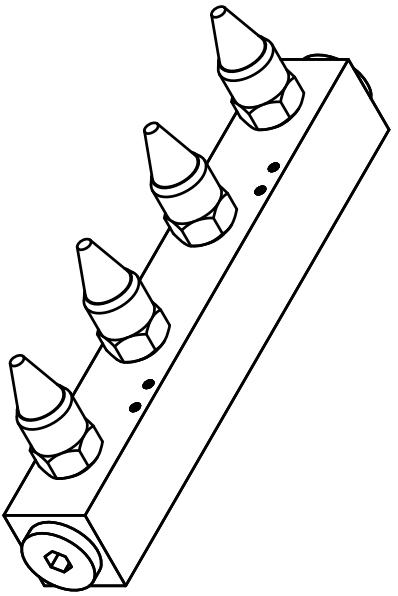
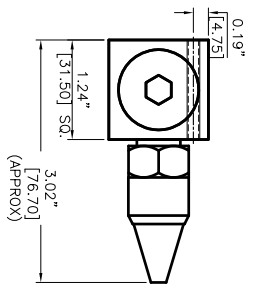
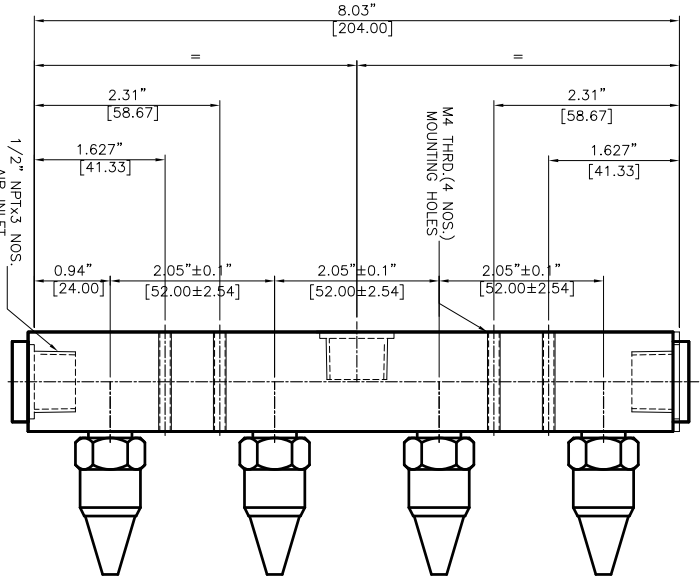


REVISIONS		DATE	APPROVED
REV	DESCRIPTION		
1	-	-	-



TEMPERATURE PROTECTION AL/SS304/SS316L		FINISH -		PART NO -	
MATERIAL AL/SS304/SS316L		FINISH -		PART NO -	
REQUIREMENTS - FINISH OTHERS: SPECIFIED		CONTRACT NUMBER -		CLIENT -	
1. DIMENSIONS AND TOLERANCES IN ACCORDANCE WITH ASME Y14.5 (1982)		DRAWN CHIRAGS		DATE 28/09/2014	
2. DIMENSIONS AND TOLERANCES IN ACCORDANCE WITH ASME Y14.5 (1982)		CHECKED LES		APPROVED G.A.	
3. MAKE FINISH 125 MICRO INCH RMS & BREAK SHARP CORNERS .005 TO .015 LIMITS		DESIGN LES		SCALE 1:1	
4. HOLES IN ACCORDANCE WITH AND 10397		MANUFACTURING -		REV NO 46004HF+47004	
1. LINEAR DIMS: .001 = .005 .002 = .010 .003 = .015 .004 = .020 .005 = .025		MECHANICAL -		RELIEF -	
2. ANGLES = ± 1/2°		ELECTRICAL -		REV -	
3. ROUNDOFF .010 MIN		SCALE 1:1		SHEET 1 OF 1	
4. HOLES IN ACCORDANCE WITH AND 10397		SCALE 1:1		SHEET 1 OF 1	

NEX FLOW AIR PRODUCTS CORP.
 10520 YONCE STREET, UNIT 259-220 RICHMOND HILL, ON L4C 3C7
 TEL: (416) 410-1313 & FAX: (416) 410-1806 www.nex-flow.com

4 PORT HIGH FLOW MANIFOLD
WITH 47004 NOZZLE