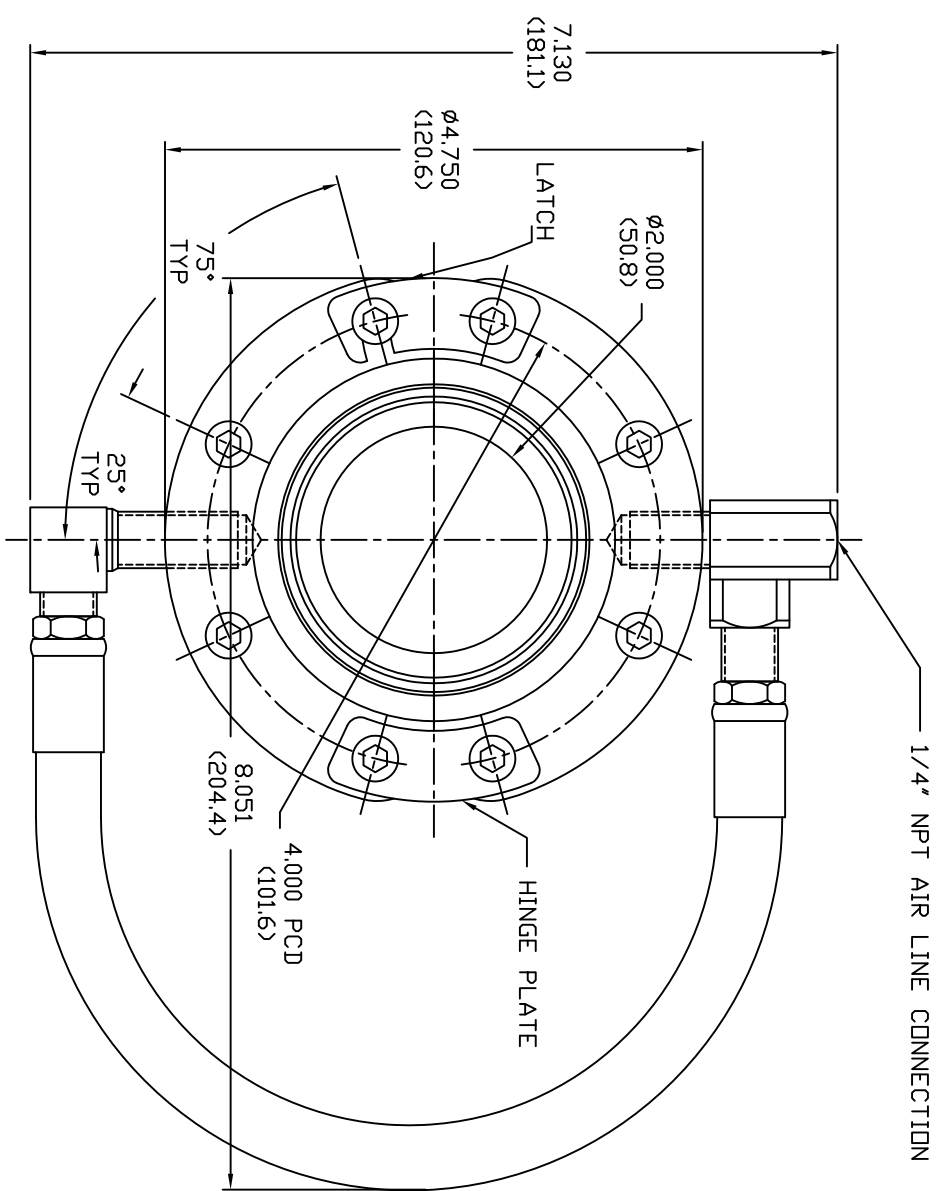


TOP VIEW WITHOUT PIPE CONNECTION



NOTE: ALL DIMENSIONS ARE IN INCHES AND DIMENSIONS IN <math>\langle \rangle</math> ARE IN mm.

SCALE: 1:1

DESIGN: JLM  
DATE: 10/06/2010  
CHECKED: APS

MATERIAL: ALUMINUM TYPE 6061-T651

REVISIONS:

NO.	DATE	DESCRIPTION
1		

THIRD ANGLE PROJECTION

10520 YONCE STREET, UNIT 358-220, RICHMOND HILL, ON L4C 3C7  
TEL: (416) 410-1313 & FAX: (416) 410-1806 www.nex-flow.com

NEX FLOW AIR PRODUCTS CORP.  
DIMENSIONAL DRAWING OF  
RING BLADE SIZE 2" ASSEMBLY

SIZE: -  
CASE CODE: -  
DWG NO: 20002-RB  
SHEET 1 OF 1

RELEASE: -  
REV: -