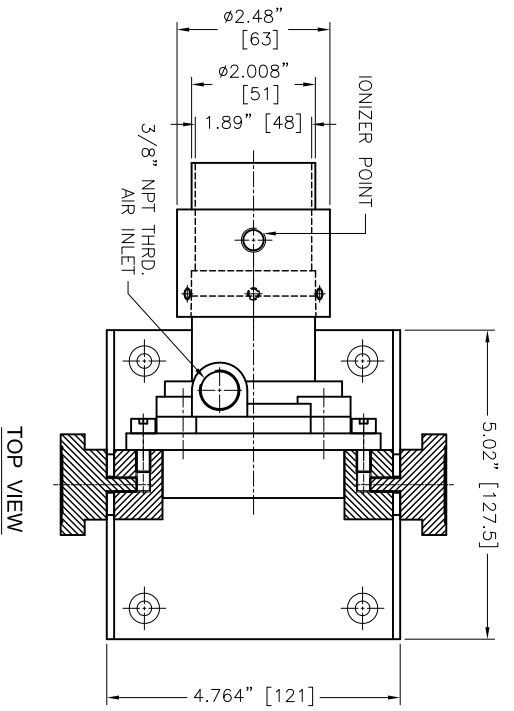
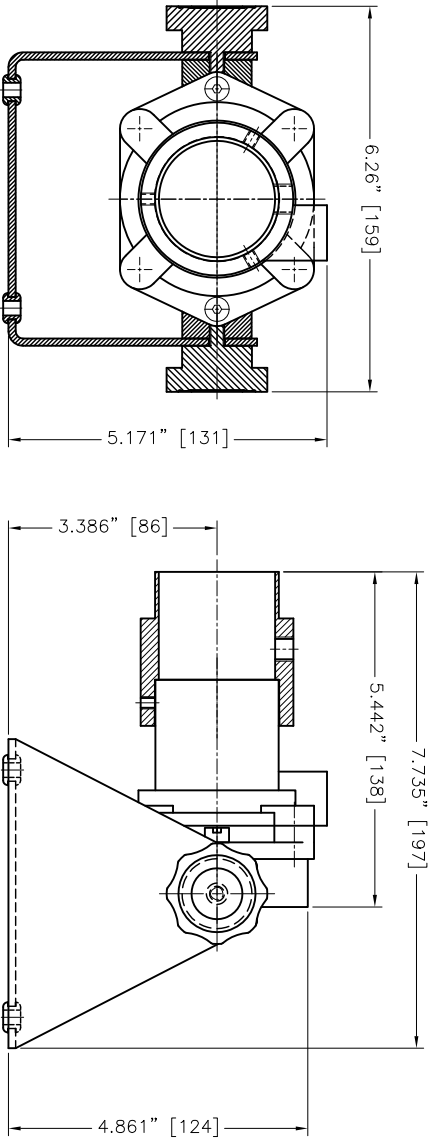


- NOTES:
- 1 ALL DIMENSIONS SHOWN ARE IN INCHES AND DIMENSIONS IN $\sqrt{}$ ARE IN MM
 - 2 ALL DIMENSIONS SHOWN ARE FINISH OPERATIONAL DIMENSIONS WHICH INCLUDE RESIDUAL COATINGS UNLESS OTHERWISE SPECIFIED.
 - 3 PART TO BE FLAT PACKED PROPERLY TO AVOID ANY DAMAGE WHILE SHIPPING & HANDLING.
 - 4 ALL HORIZONTAL DIMENSIONS ARE SYMMETRICAL ABOUT VERTICAL CENTER LINE UNLESS OTHERWISE SPECIFIED.



TOP VIEW



SIDE VIEW

FRONT VIEW

REVISIONS		DATE	APPROVED
REV	DESCRIPTION		
-	-	-	-

REVISIONS		DATE	APPROVED
REV	DESCRIPTION		
-	-	-	-

TITLE		NEX FLOW AIR PRODUCTS CORP.	
OUTLINE DRAWING FOR		1020 YONGE STREET, UNIT 159-201, RICHMOND HILL, ON L4B 3G7	
ION BLASTER BEAM		TEL: (416) 410-1310 & FAX: (416) 410-1000 www.nfb-llc.com	
DATE	20/2/2014	DESIGN	SEAN L
SCALE	AS SHN	CHECKED	
PROJECT		DATE	
STRESS		MANUFACTURING	
THERMAL		MATERIALS	
ELECTRICAL		ELECTRICAL	
CONTRACT NUMBER	-	CUSTOMER	-
CONTRACTOR	-	CONTRACTOR	-
1. UNLESS OTHERWISE SPECIFIED			
2. DIMENSIONS AND TOLERANCES			
3. MACHINE FINISH UNLESS OTHERWISE SPECIFIED			
4. INTERNAL RADIUS UNLESS OTHERWISE SPECIFIED			
5. BREAK SHOWN COMMENTS 2005 TO 0115			
UNITS			
1. LINEAR DIMENSIONS			
2. ANGLES			
3. HOLE DIA			
4. HOLES IN ACCORDANCE WITH ASME Y14.5			

PART NO.	NEXT ASSEMBLY	USED ON	OUTER PART NO.
-	-	-	-