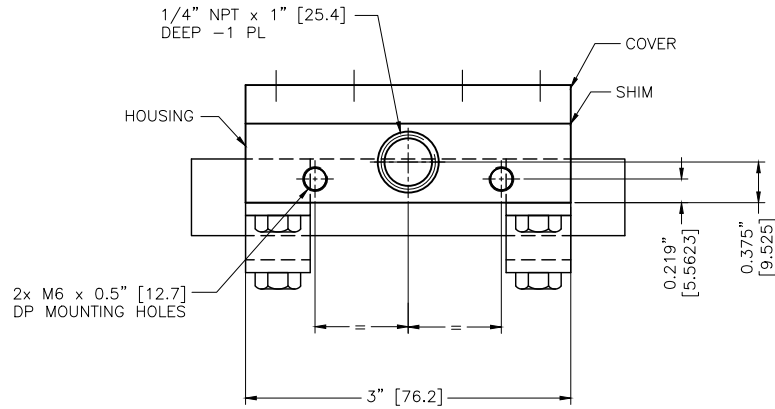
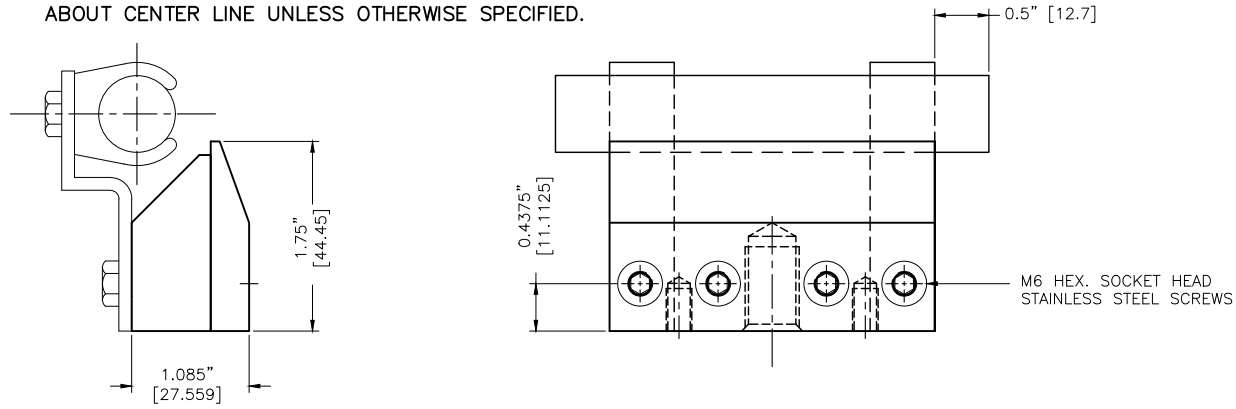


NOTES:

- 1 ALL DIMENSIONS SHOWN ARE FINISH OPERATIONAL DIMENSIONS WHICH INCLUDE RESIDUAL COATINGS UNLESS OTHERWISE SPECIFIED.
- 2 PART TO BE PACKED PROPERLY TO AVOID ANY DAMAGE WHILE SHIPPING & HANDLING.
- 3 ALL HORIZONTAL DIMENSIONS ARE SYMMETRICAL ABOUT CENTER LINE UNLESS OTHERWISE SPECIFIED.



THIRD ANGLE PROJECTION	-				REQUIREMENTS-UNLESS OTHERWISE SPECIFIED	CONTRACT NUMBER -		NEX FLOW AIR PRODUCTS CORP. 10520 YONGE STREET, UNIT 35B-220, RICHMOND HILL, ON L4C 3C7 TEL.: (416) 410-1313 & FAX: (416) 410-1806 www.nex-flow.com				
	-				GENERAL	CLIENT -						
MATERIAL	-				1. DIMS ARE IN INCHES (MM)	CONTRACTOR -		TITLE OUTLINE DRAWING OF 3" X-STREAM AIR BLADE AIR KNIFE WITH IONIZER				
	ALUMINIUM				2. DIMENSIONING AND TOLERANCING IN ACCORDANCE WITH ANSI Y14.5 (1982)	DRAWN S.PATIL						DATE 27/11/2013
FINISH	-				3. MACHINE FINISH 125 MICRO INCH RMS	DESIGN -		SCALE 1:1				
	-				4. INTERNAL RADII .015	CHECKED ASHISH						CAGE CODE
-					5. BREAK SHARP CORNERS .005 TO .015	PROJECT -		MATERIALS		RELEASE -		
-					LIMITS	MANUFACTURING		ELECTRICAL		REV -		
-					1. LINEAR DIMS: .XXX = .005 .XX = .010 .X = .030	STRESS -		SCALE 1:1		SHEET 1 OF 1		
-					2. ANGLES = ± 1/2°	THERMAL -		CAD NO XAKI-3		REV -		
-					3. RUNOUT .010 TIR	MECHANISM -		SCALE 1:1		SHEET 1 OF 1		
-					4. HOLES IN ACCORDANCE WITH AND 10387	-		SCALE 1:1		SHEET 1 OF 1		
PART NO -					NEXT ASSEMBLY USED ON QTY PER ASSY PART NO		-		-		-	